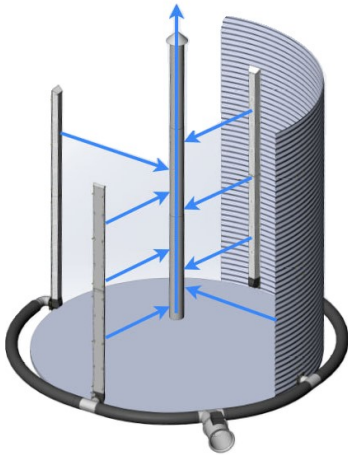
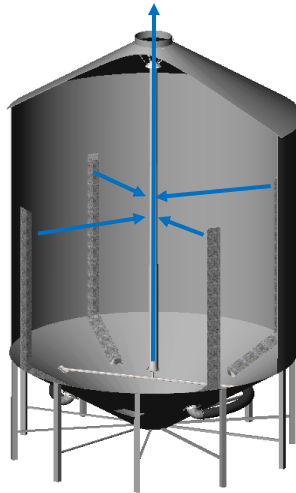


GATCO MANUFACTURING

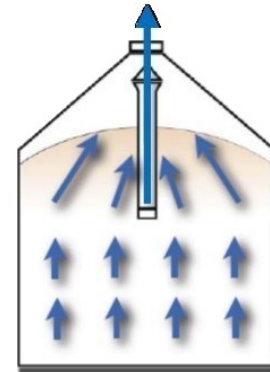
Cross Flow Aeration



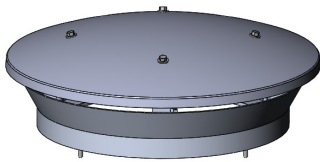
GrainAir Tubes



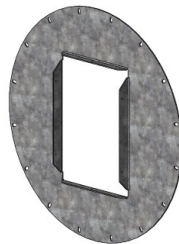
Aeration Booster



Vent-a-Lid



Fan Transition Adapters



Full Centrifugal Fans



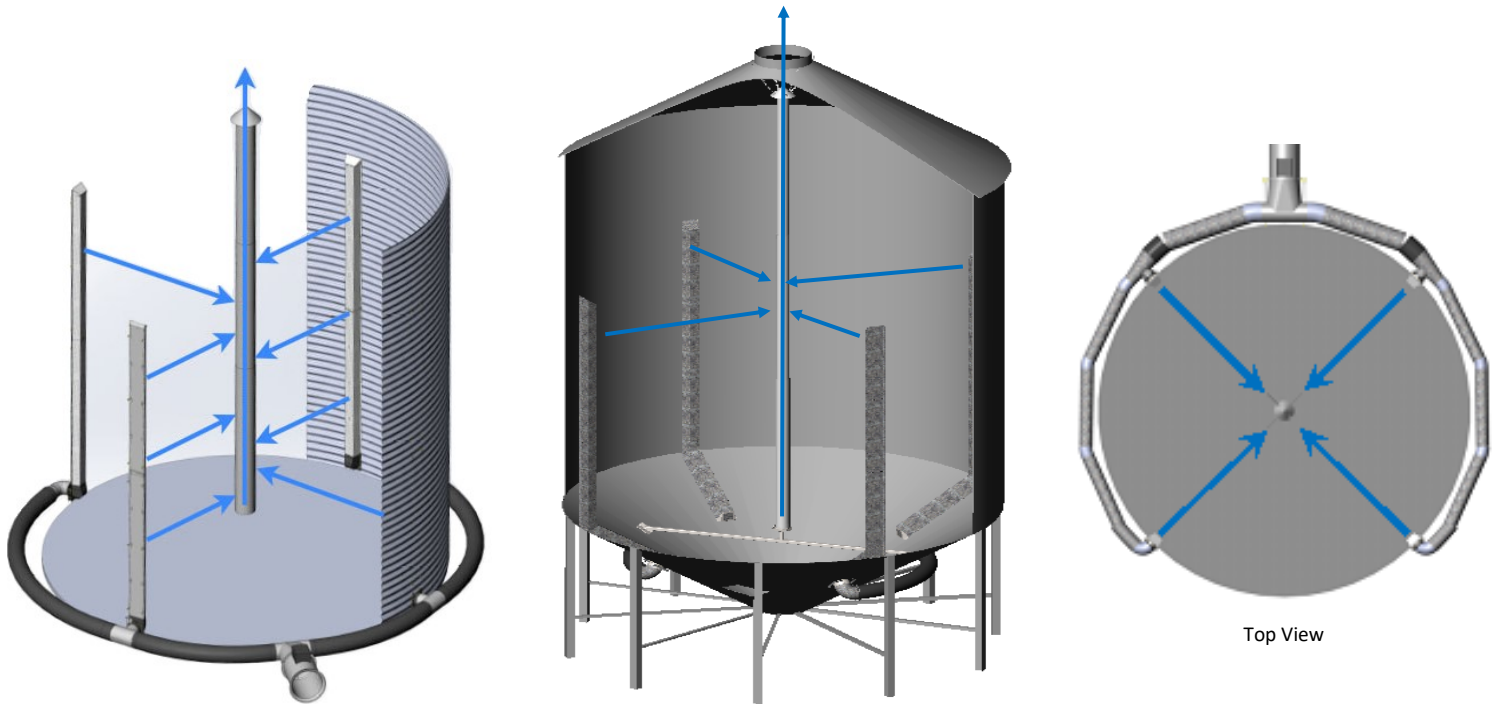
2500 South Service Road West, Swift Current, SK S9H 3W3

Ph:306-778-3338 sales@gatcomfg.com

www.gatcomfg.com

HAVE HEATED CANOLA? CHECK OUT OUR

3 IN 1 AERATION: DRYING, COOLING & NATURAL CONVECTION



CROSSFLOW AERATION moves air HORIZONTALLY from the louvered columns on the bin wall to the center of the bin where it is exhausted with a perforated **GRAINAIR TUBE**. Works on any bin type. Less static pressure required means smaller aeration fans and less electrical demand/expense.

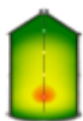
For those wet harvests, turn your bin into a drying bin by adding your indirect-fired construction heater. No added moisture and significantly reduces your drying time.

Once you are done aerating, shut your fan off and let the **GRAINAIR TUBE** and **VENT-A-LID** go to work releasing any heat buildup in your bin automatically using natural convection. **No more spoiled grain.**

Contact Gatco today to get your system quoted, ordered and installed by Gatco Certified Installers.

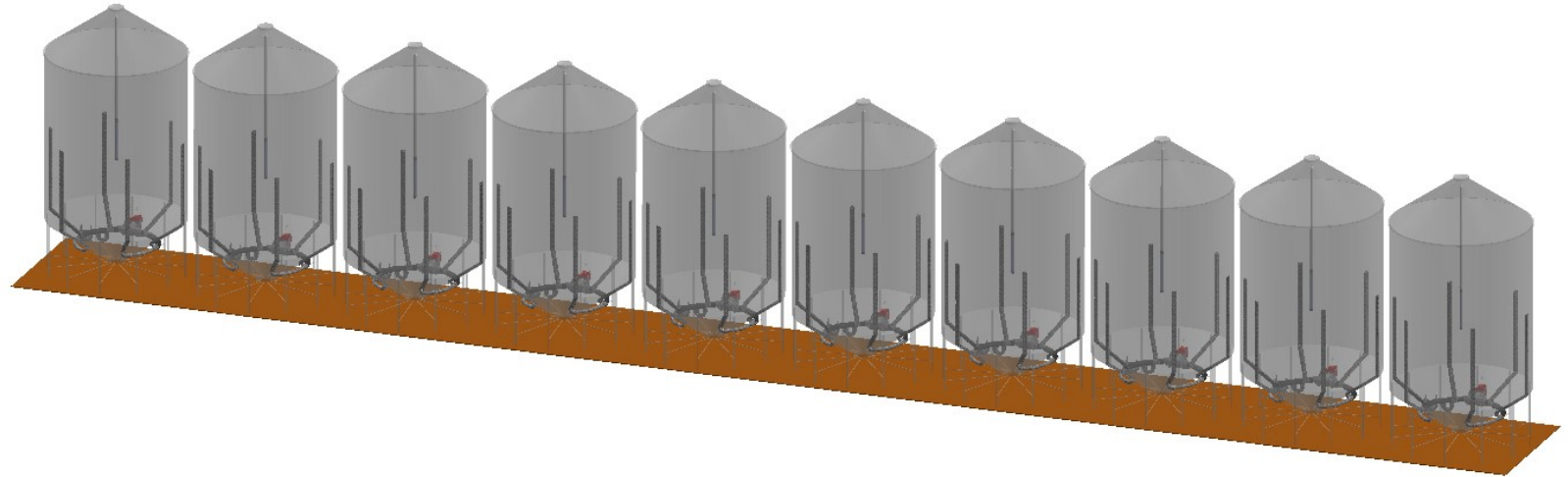
CROSS FLOW + BIN-SENSE® MONITORING= PRECISION STORAGE

**BIN
SENSE**
LIVE

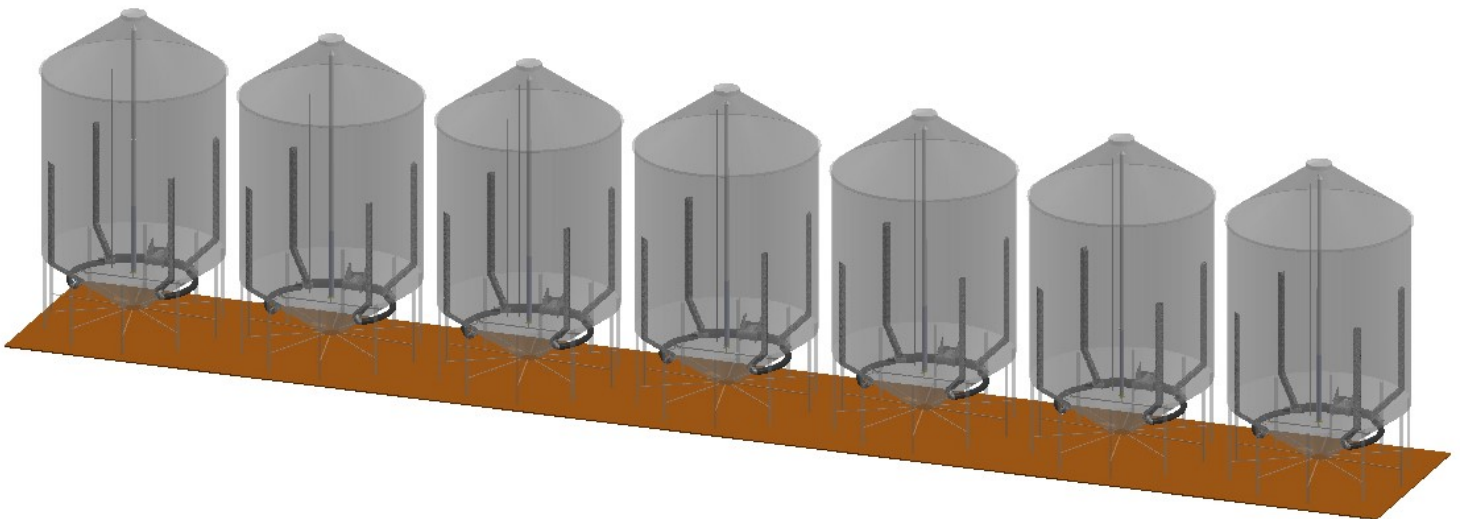


- Control how you store and manage your grain.
- Certified installers in AB, SK & MB.

Cross Flow Aeration Projects

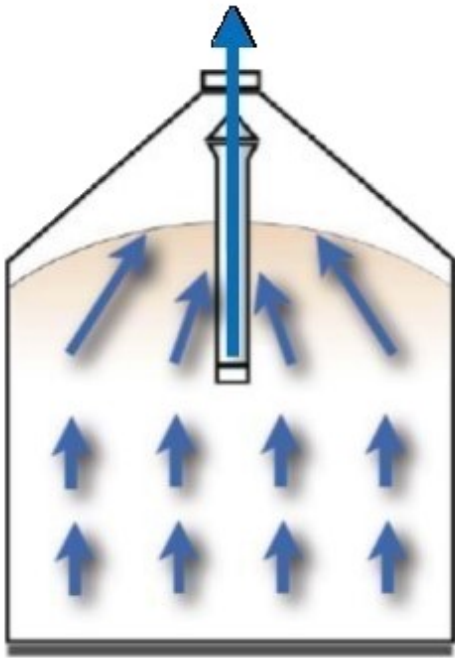


Saskatchewan: 10 = 2709 Hoppers, 19,000bu,
6column/16ft High, 1=10hp fan per bin



Saskatchewan: 7=2106 Hopper, 8000bu,
4Column/12ft High, 1=7hp fan per bin

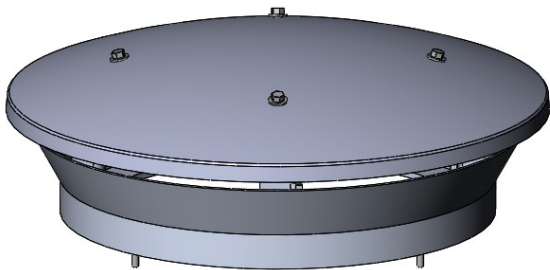
Aeration Booster



-INCREASES EFFICIENCY OF YOUR CURRENT AERATION SYSTEM.

- Decreases drying and cool down times
- Prevents heating, spoilage and bugs
- once your fan is shut off, the AERATION BOOSTER with VENT-A-LID gives you POWERLESS AERATION that allows excess heat to be quickly and safely exhausted out of your bin through natural convection.

Vent-a-Lid



- 10" VENT-A-LID allows bin lid to be fully closed and still let the GRAINAIR TUBE to do its job
- Positioning on bin lid ensures maximum venting of excess heat from your grain. Heat finds the highest point of the bin.
- You don't need to remember to open or close your bin lid anymore with the VENT-A-LID.

Aeration Fans



- available in 3, 5, 7.5 and 10hp. Single and three phase.
- Full Centrifugal fans are best suited for adding supplemental heat directly into the fan inlet.
- 3, 5 & 7.5hp has 9x14" outlet. 10hp has 12 x 17-1/4" outlet.
- other fan sizes and types available. Contact Gatco for more details.

GrainAir Tubes & Vent-a-lid

Powerless Aeration

STOP YOUR CANOLA FROM HEATING

Designed to work with natural convection, the perforated GRAINAIR TUBE allows heat and moisture to escape the bin quickly. Prevents heating, spoilage and bugs. No fan or electricity are required

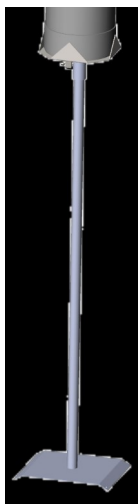
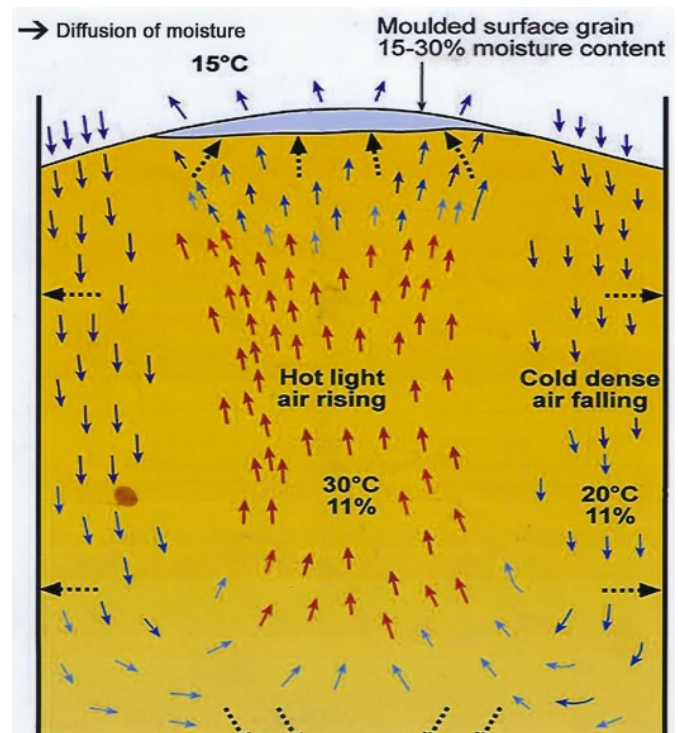
Also quonset, shed and grain pile options.

Retrofittable to any grain bin (flat, hopper, grain piles and quonsets)

Check out our GrainAir Tube Calculator on our Website. Enter your bin diameter, bin type and number of rings and automatically get the tube specific for your bin.



Grain Bin Natural Convection Currents



FLAT BOTTOM BASE



TETHERED
BASE

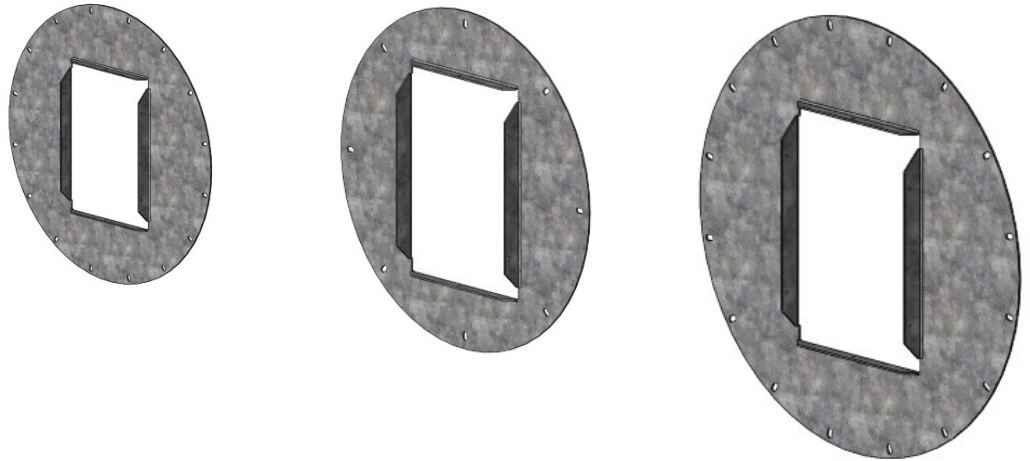


HOPPER BOTTOM MAGNETIC BASE

Fan Transition Adapters/ Transitions/ Aeration Socks

-adapters to 18, 24 and 28” round transitions.

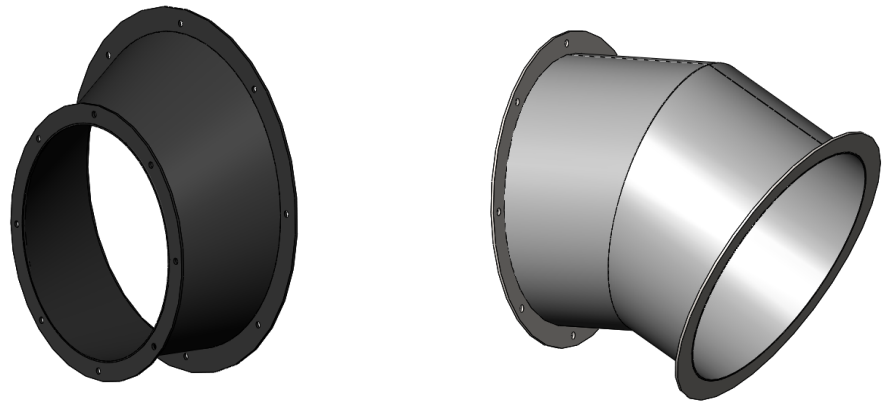
-adapters for round and rectangular fan outlets.



-reducers

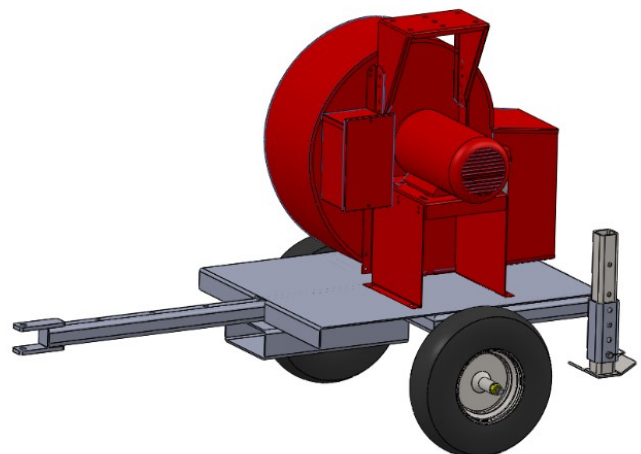
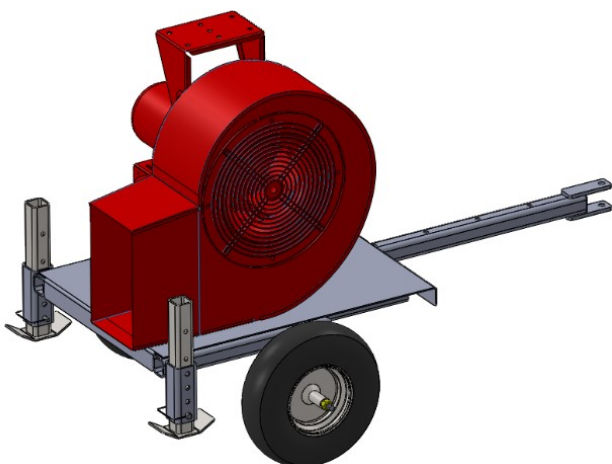
-canvas socks and metal adapters.

-Call Gatco for more details.

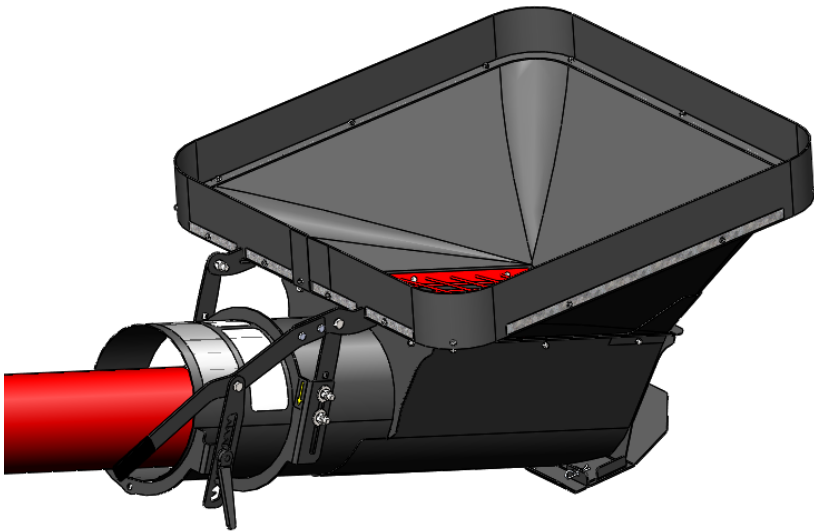


AERATION FAN CART

When you are using an aeration sock and need an easy way to move your fan from bin-to-bin. Choose Gatco's AERATION FAN CART. Fits all major aeration fan brands from 3hp to 10hp. Has a convenient forklift lift pocket so can be easily moved with tractor forks or skid steer. Is easily towable with an ATV or tractor. Foam filled, no-flat tires



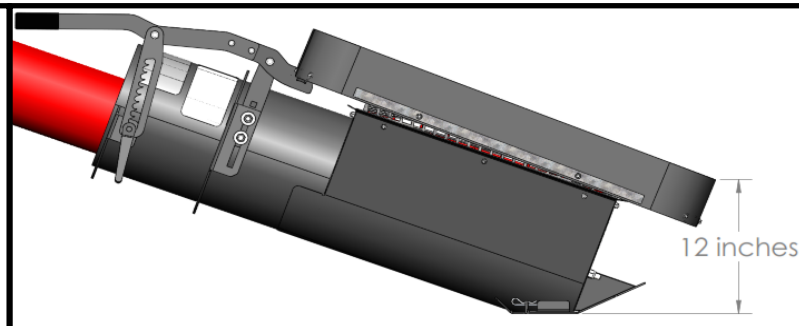
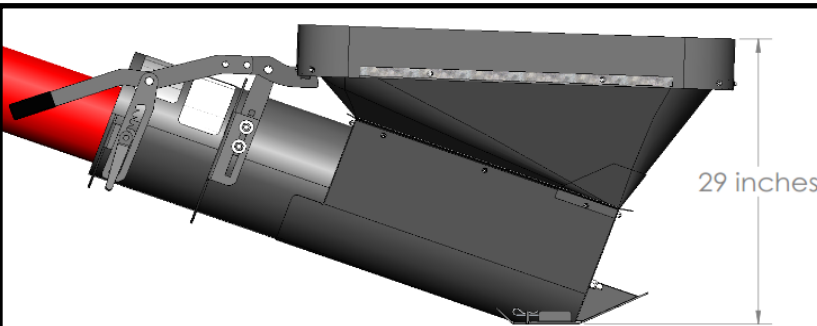
Heavy Duty Skid Plate



Easy, Slide Gate Cleanout



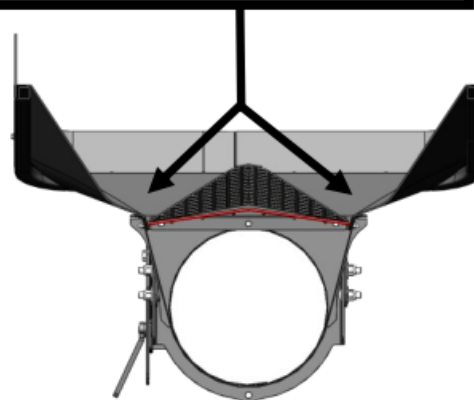
Fully Adjustable Hopper With 10 Lockable Positions. Easily Replaceable Canvas



Divert Fertilizer Lumps



Fertilizer lumps roll to the sides

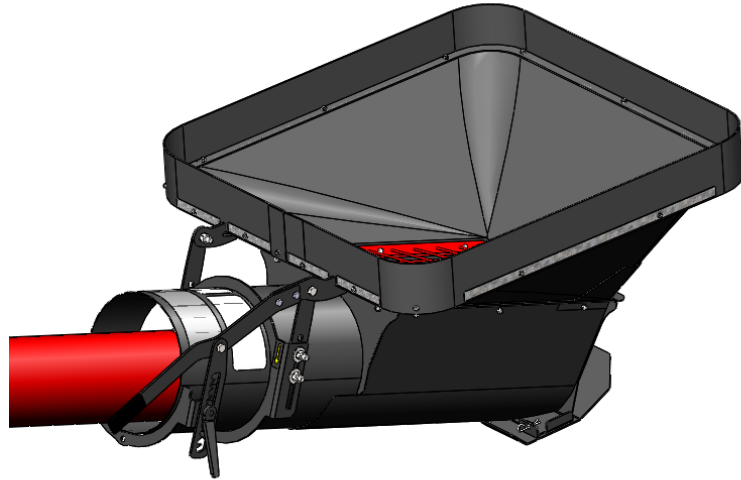


2500 South Service Road West, Swift Current, SK S9H 3W3

Ph:306-778-3338 sales@gatcomfg.com

www.gatcomfg.com

Unique "U"-Shape Design



Quick Singl

3in Unload



Increased Auger Capacity

Faster, Cleaner Trailer Unload

