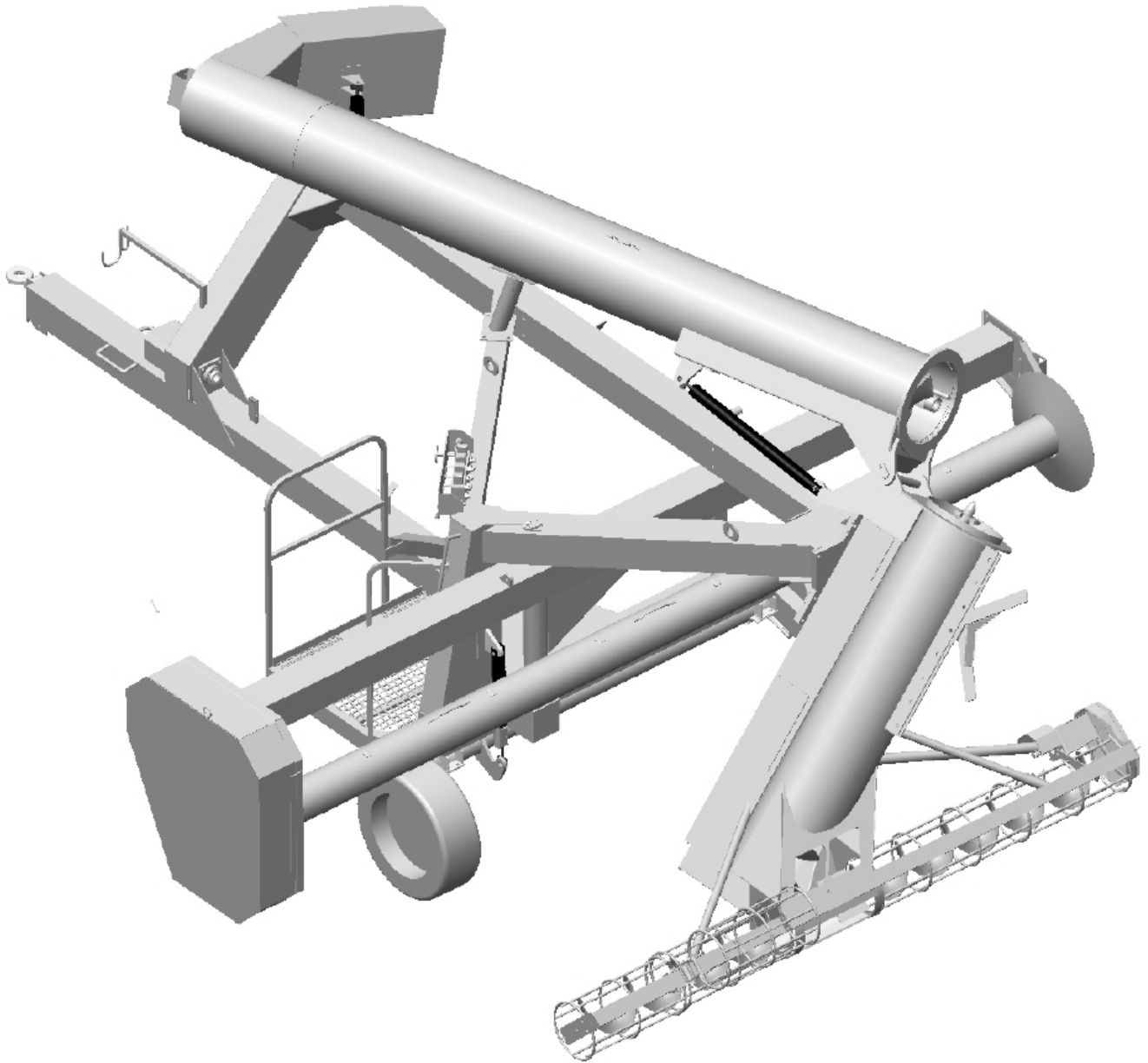


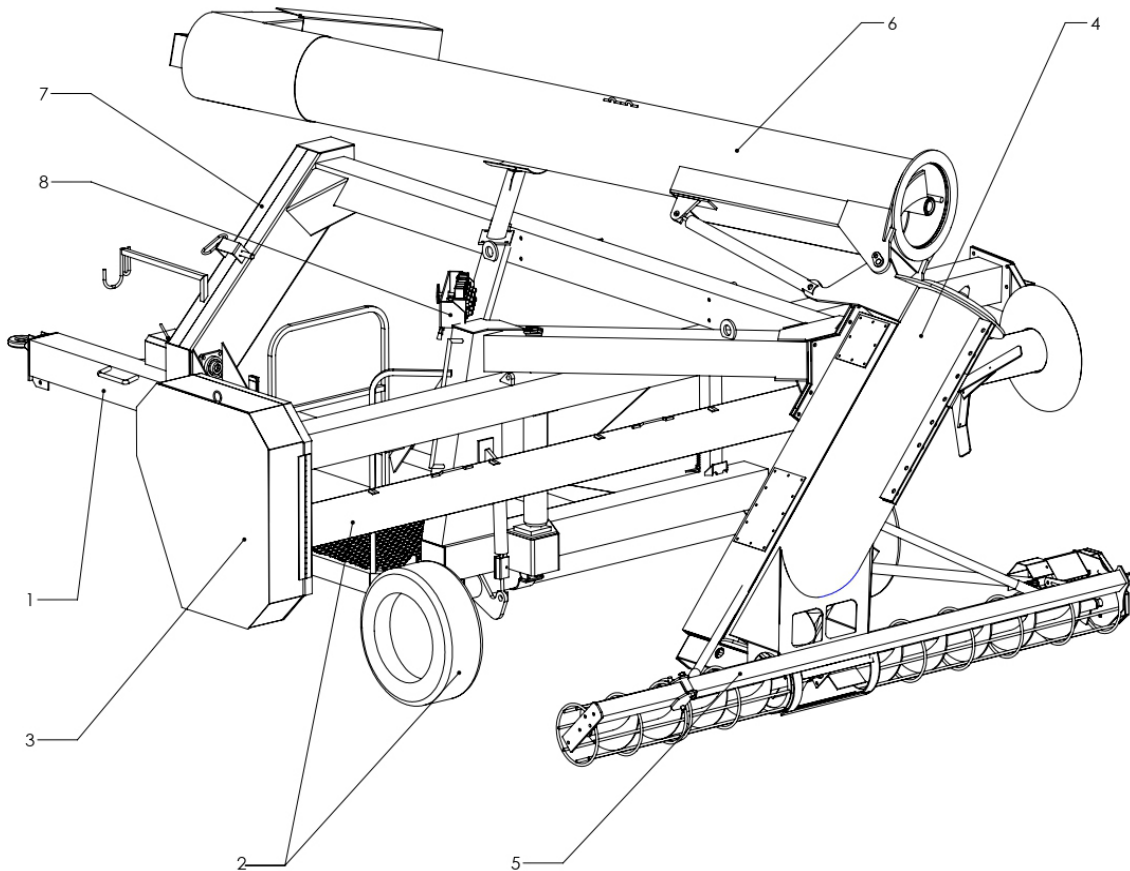
PRO GRAIN

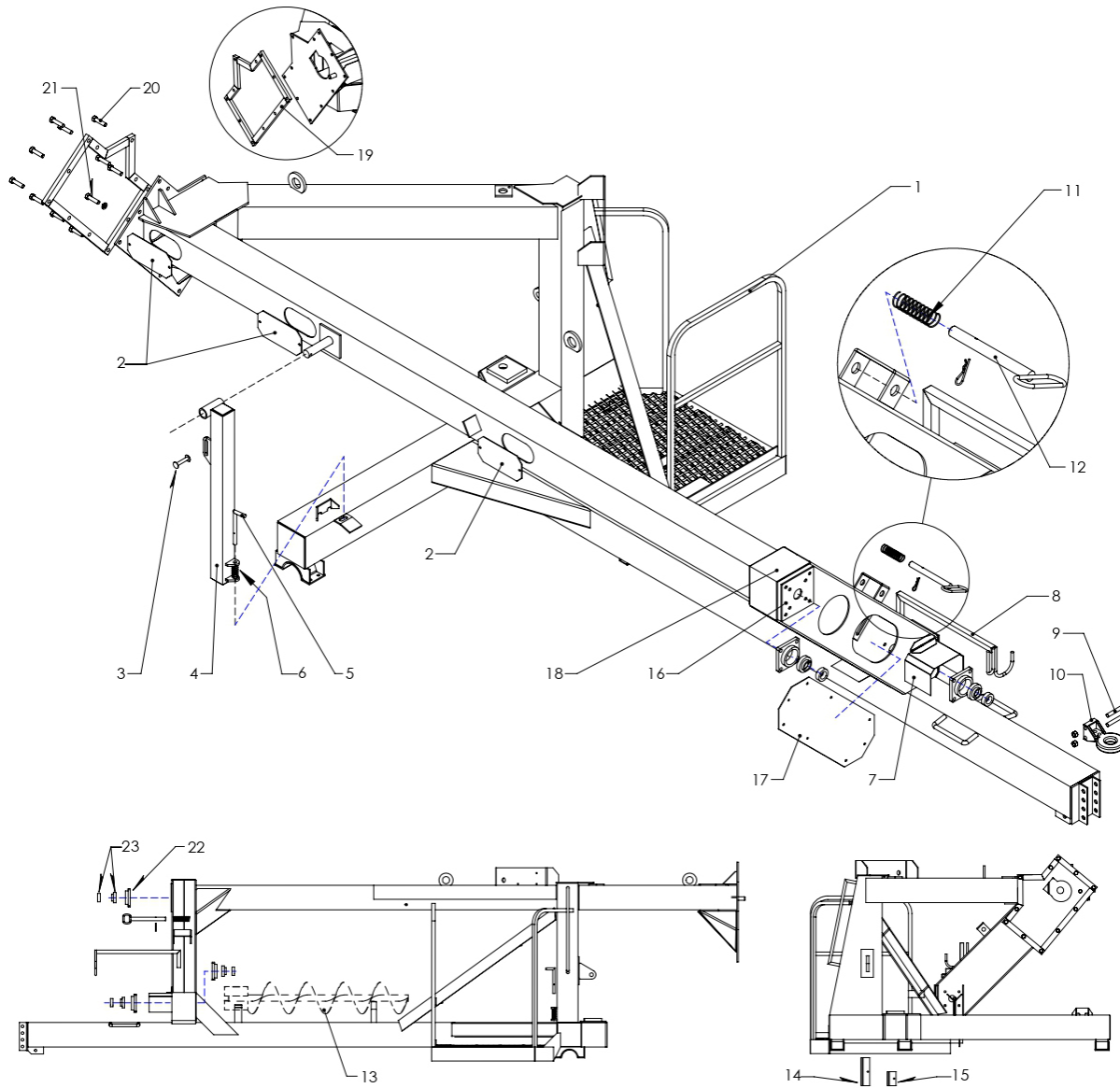
EQUIPMENT



PRO GRAIN EXTRACTOR E-1610 PARTS MANUAL

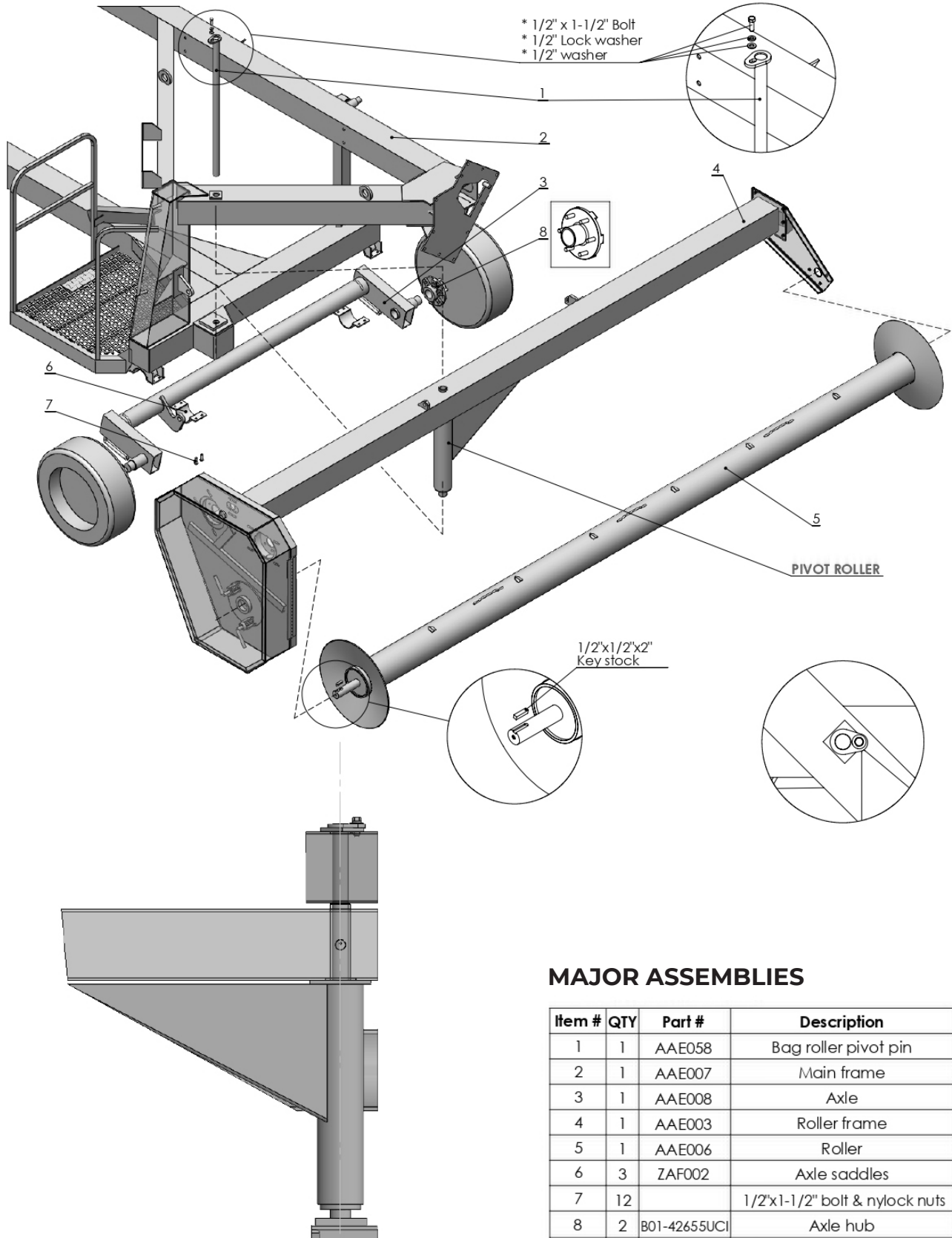
Main Frame	3
Axle & Bag Roller	4
Roller Gear Box	5
Lower Auger	6
Cross Auger	7
Upper Auger	8
Driveline	9
Hydraulic System	10
Dimension	11

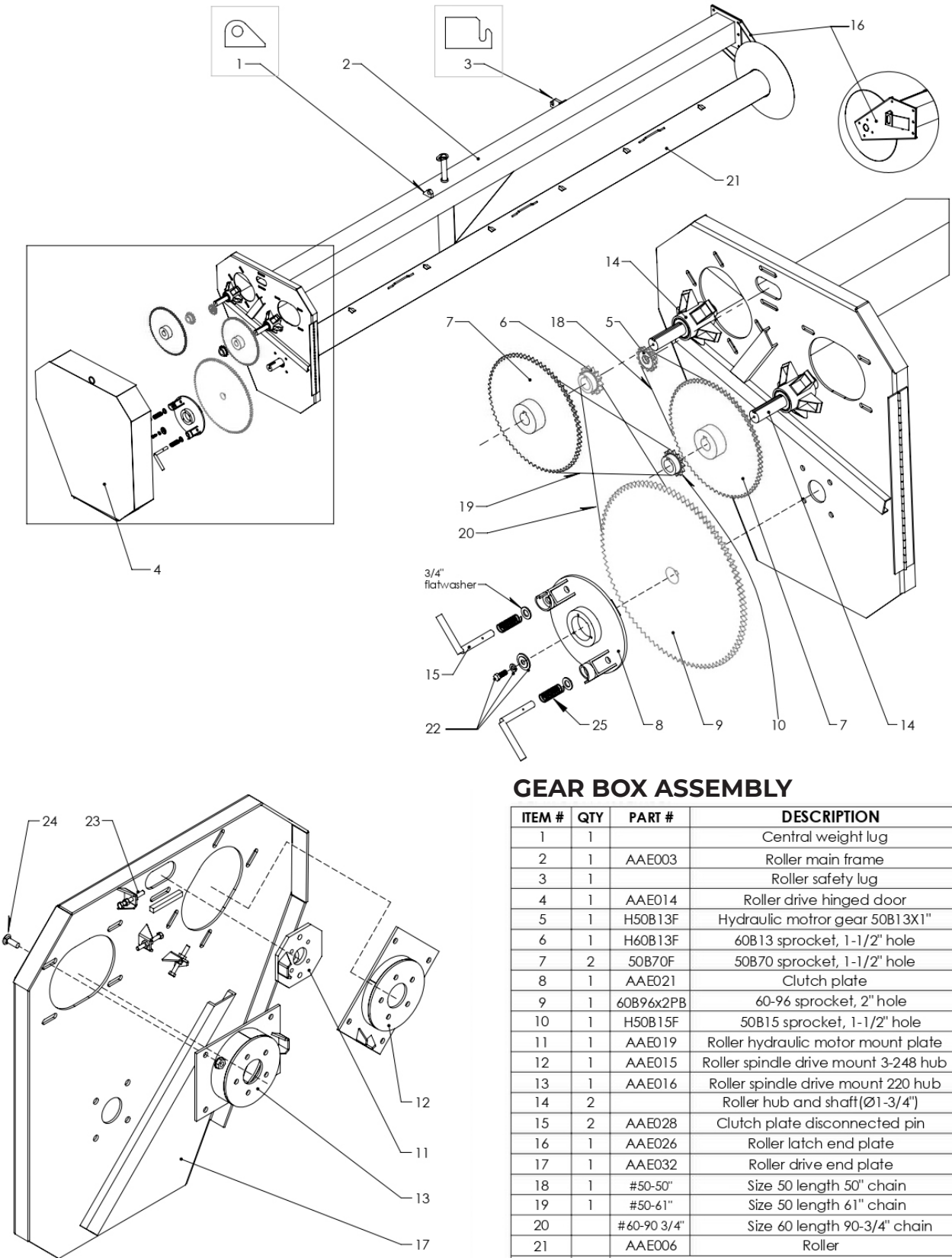




MAIN FRAME

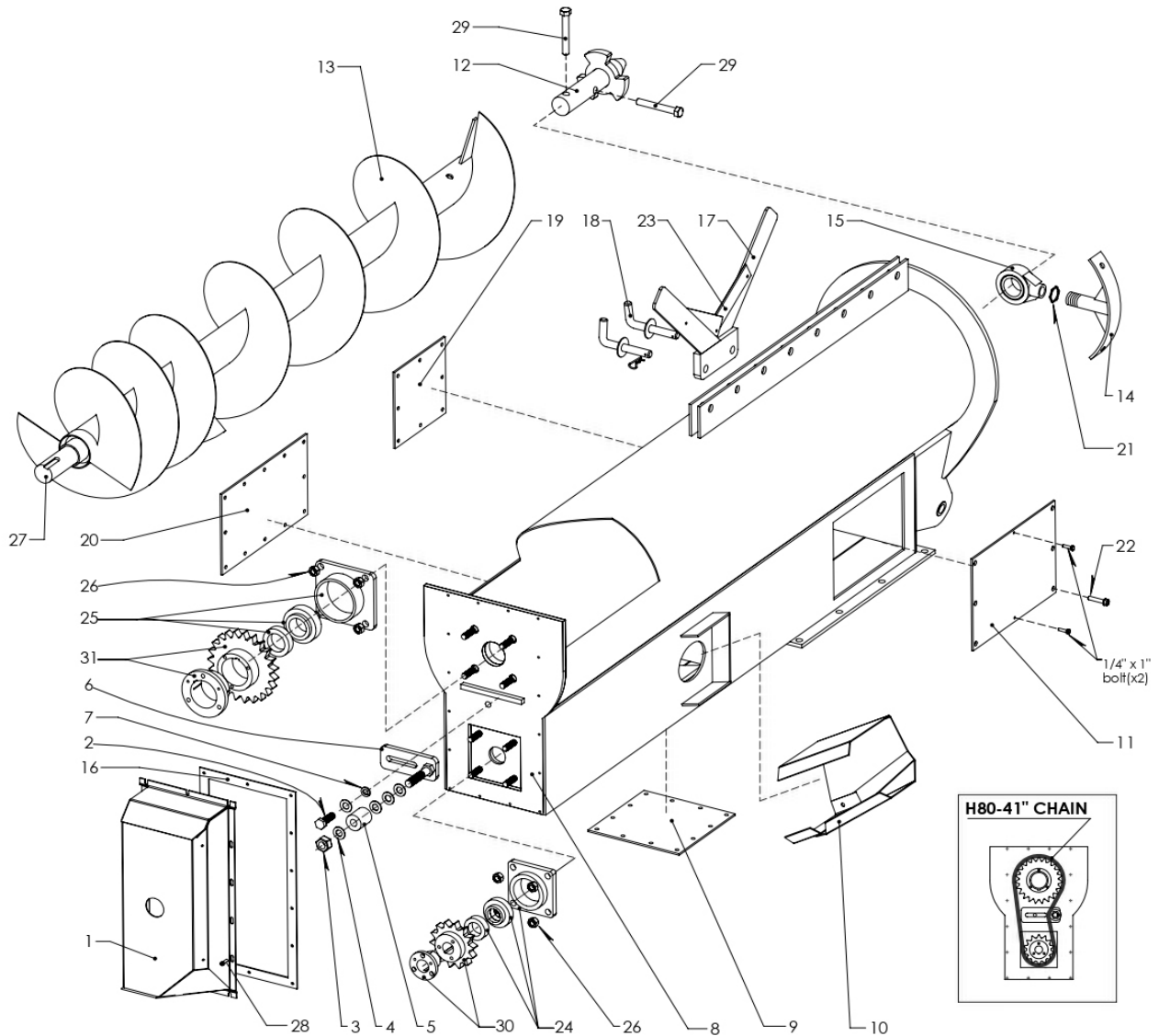
ITEM #	QTY	PART #	DESCRIPTION	ITEM #	QTY	PART #	DESCRIPTION
1	1		Platform	13	1	AAE047	Short cross auger(transport)
2	3	ZEF271	Main frame covers, 1/4"x1" self-tap screws	14	1	AAE029	Axle cylinder stop(transport)
3	1	ZEF119	Swing-away upper pin	15	1	AAE031	Axle cylinder stop(working)
4	1	AAE023	Swing-away strut	16	1	ZEF035L	Primary chain bearing plate, 1/2"x1-1/2" bolt(x4)
5	1	AAE052	Swing-away lower pin	17	1	ZEF030L	Access hole cover, 1/4"x1" self-tap screws(x8)
6	1		Ø1-1/16"x.12"x3" spring	18	1	AAE024	Front chain case
7	1	ZEF246	PTO guard	19	1	AAE062	Spacer
8	1	AAE027	PTO holder	20	10		5/8"x2-1/2" bolt & nylock nut
9	2		5/8"x4-1/2" bolt & nylock nut	21	1		9/16"x2-1/2" bolt & Washer
10	1		Hitch tougue	22	3	F208	Flange, 1/2"x1-3/8" bolt(x4)
11	1	24874	1-3/8" x 0.12" x 6" spring	23	3	SA208-24	1-1/2" bearing,lock nut
12		AAE025	Roller transport latch bolt	24			





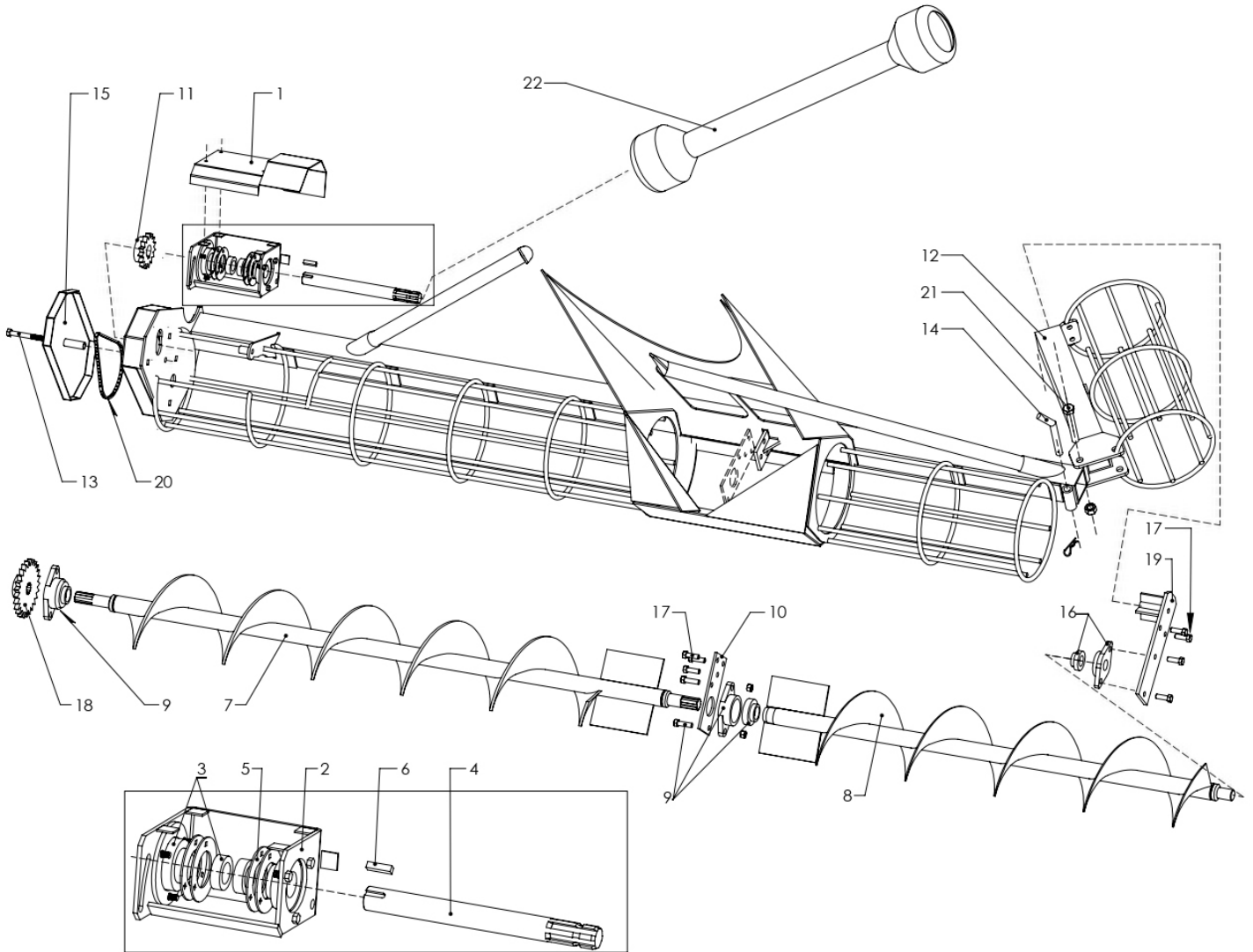
GEAR BOX ASSEMBLY

ITEM #	QTY	PART #	DESCRIPTION
1	1		Central weight lug
2	1	AAE003	Roller main frame
3	1		Roller safety lug
4	1	AAE014	Roller drive hinged door
5	1	H50B13F	Hydraulic motor gear 50B13X1"
6	1	H60B13F	60B13 sprocket, 1-1/2" hole
7	2	50B70F	50B70 sprocket, 1-1/2" hole
8	1	AAE021	Clutch plate
9	1	60B96x2PB	60-96 sprocket, 2" hole
10	1	H50B15F	50B15 sprocket, 1-1/2" hole
11	1	AAE019	Roller hydraulic motor mount plate
12	1	AAE015	Roller spindle drive mount 3-248 hub
13	1	AAE016	Roller spindle drive mount 220 hub
14	2		Roller hub and shaft(Ø1-3/4")
15	2	AAE028	Clutch plate disconnected pin
16	1	AAE026	Roller latch end plate
17	1	AAE032	Roller drive end plate
18	1	#50-50"	Size 50 length 50" chain
19	1	#50-61"	Size 50 length 61" chain
20		#60-90 3/4"	Size 60 length 90-3/4" chain
21		AAE006	Roller
22	1 set	1/2"x1-1/4" bolt, 1/2" lock washer, 1/2"+1" flatwasher	
23	3 sets		3/8" x 3" bolts & nylock nuts, chain tightener
24	10 sets		1/2" x 1-1/2" carriage bolts & flange nuts
25	2	24830	1-1/8" x 3.105"(3" spring)



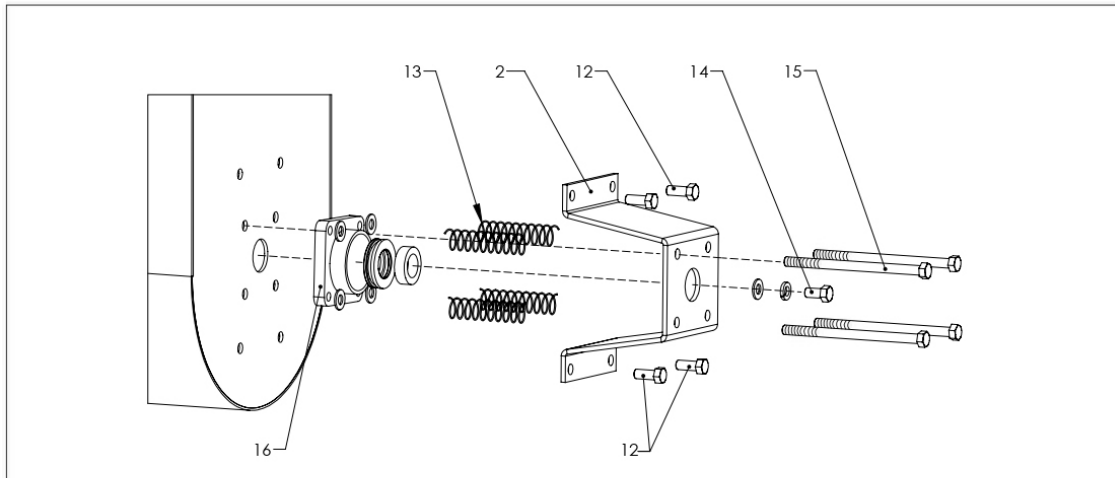
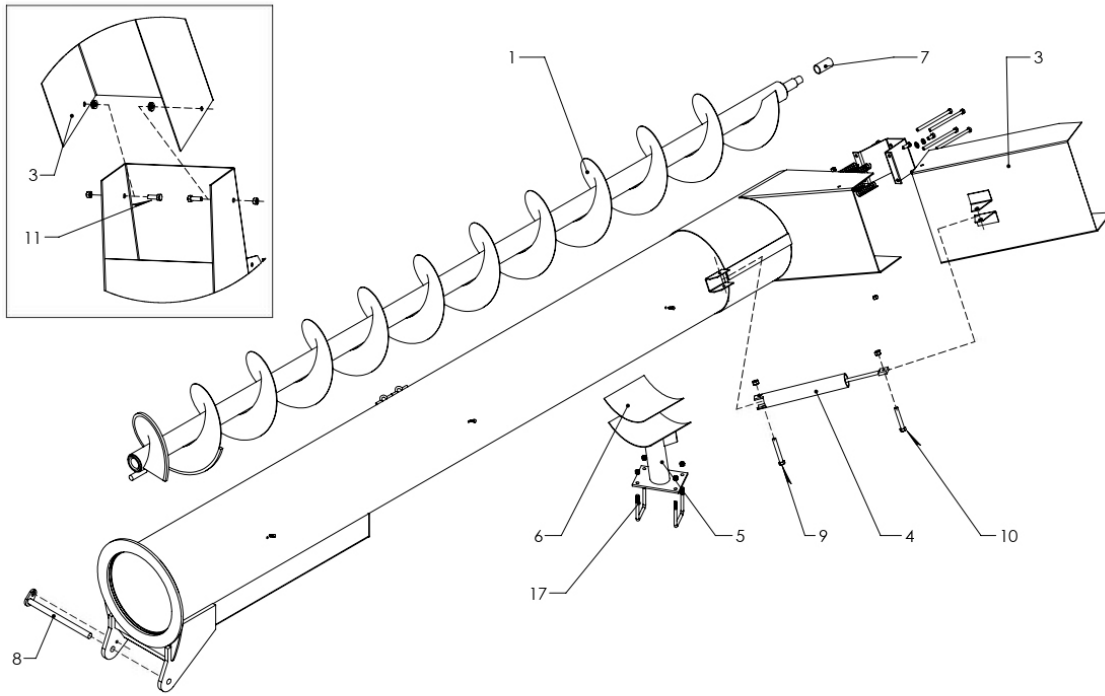
LOWER AUGER HOUSING

ITEM #	QTY	PART #	DESCRIPTION	ITEM #	QTY	PART #	DESCRIPTION
1	1	AAE042	Lower Auger Chain Case	18	2	ZC054	Bag knife lock pin
2	1	A	5/8"x1-1/2" bolt	19	1	ZEL189	Lower auger side 8-screw small cover
3	1		3/4" stover locknut type C	20	1	ZEL192	Lower auger side 10-screw cover
4	5		E	3/4" flatwasher	21	1	
5	1	O	AAA006 3" Nylon chain tensioner	22	36		3/8" x 1" self-tapping screw
6	1	3	AAE033 Chain tensioner bracket	23	2	ZEL303	Bag knife blade
7	1	8	3/4" lock washer	24	1 set	F-208 SA208-24	* Drive shaft flange block * 1-1/2" DIA fighting bearing * lock nut
8	1	AAE039	Lower auger end plate	25	1 set	F-210 SA210-32	* Drive shaft flange block * 2" DIA fighting bearing * lock nut
9	1	ZEL191	Lower auger bottom 12-screw cover	26	8		9/16" NYLOCK NUT
10	1	AAE035	Upper cross auger drive guard	27	1	AAE010	Coupler stub shaft
11	1	ZEL190	Lower auger side 8-screw big cover	28	14		1/4" x 3/4" soc cap screw
12	1	AAE041	Lower auger star shaft	29	2		5/8" x 4-1/2" bolt
13	1	AAE012	Lower auger flighting(74")	30	1 set	H80Q14 P1X1-1/2	#80 x 14 tooth sprocket 1-1/2" DIA taper lock type hub, 3/8" key stock x2"
14	1	AAE040	Top end lower auger bearing mount	31	1 set	H80Q23 Q1X2	#80 x 23 tooth sprocket 2" DIA taper lock type hub, 1/2" key stock x2-1/4"
15	1	UCHA 210-32	2" bearing				
16	1	AAE053	Rubber gasket for chain cover				
17	1	AAE045	Bag knife steel				



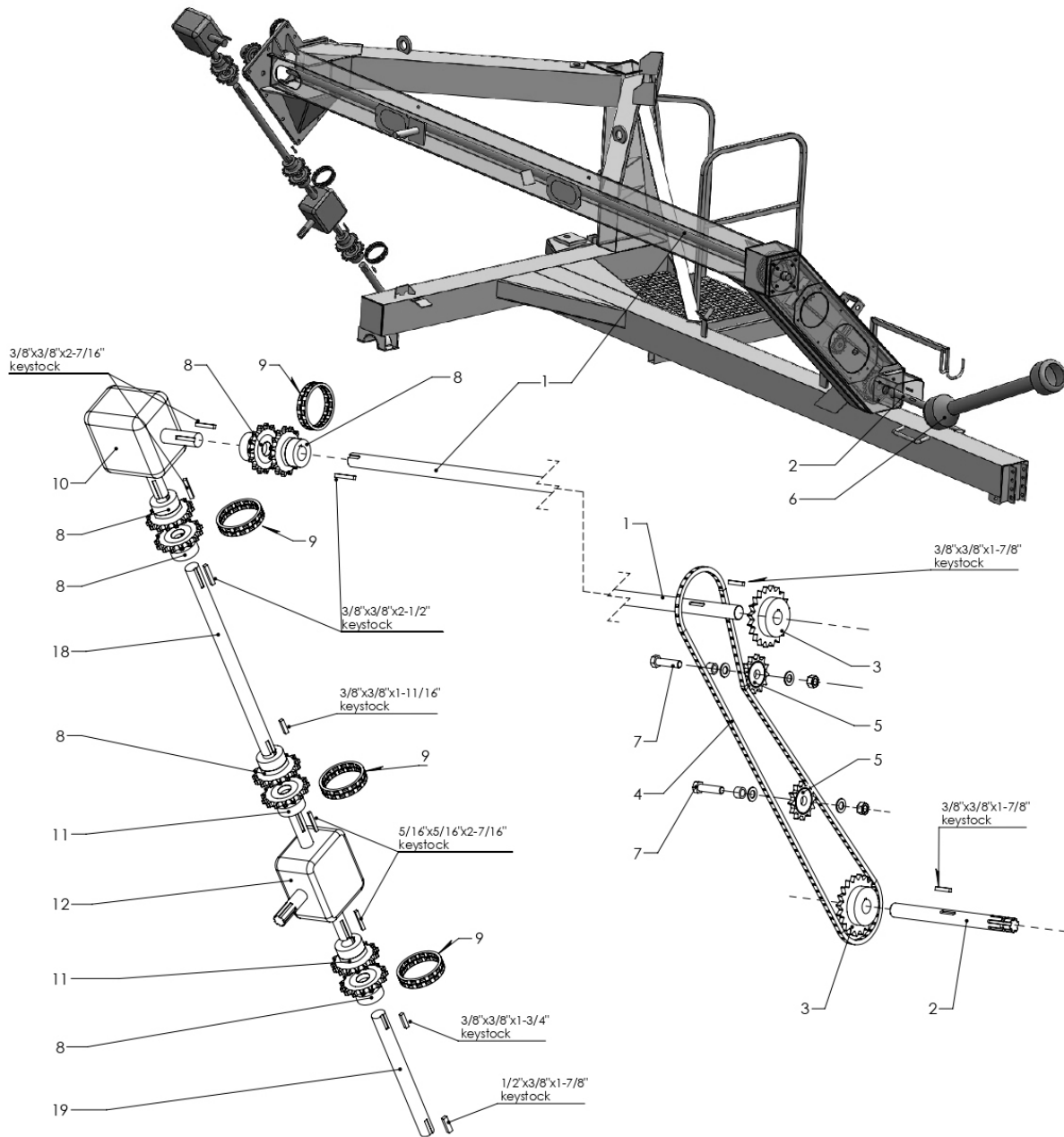
CROSS AUGER

ITEM #	QTY	PART #	DESCRIPTION	ITEM #	QTY	PART #	DESCRIPTION
1	1	AAE034	Cross auger PTO cover lower	12	1	AAE066	Cross auger wing
2	1	AAE036	Cross auger jack shaft mount	13	1		1/2" x 4" bolt
3	2 sets	SA207-22	1-3/8" Bearing, lock nut	14	1	AAE056	Cross auger wing pin, 3/4" x 7" CR RD
4	1	ZEL315L	1-3/8" cross auger jack shaft	15	1	AAE054	Cross auger chain cover
5	4	PF207G	3-hole flangette, inner Ø 2-3/4"	16	1	* FL206 * SA206-20	* 2-hole flange * 1-1/4" Bearing
6	1		5/16" x 1-1/4" key	17	7		1/2" x 1-1/2" bolt, nylock nut
7	1	AAE055	71-3/4" Splined drive fighting (M)	18	1	AAE043	60-25 sprocket c/w 1-3/8"-6 spline hub
8	1	AAE047	61-1/2" Splined driven fighting (F)	19	1	AAE067	Cross auger wing endplate
9	1	* FL207	* 2-hole flange	20	1	#60-29"	Size 60 length 20 chain
	1	* SA207-22	* 1-3/8" Bearing	21	1		3/4" x 6" bolt, nylock nut
	2		* 1/2" x 1-3/4" bolt & nut & washer	22	1	242-28228	Cross auger PTO
10	1	ZEL050L	Center cross auger bearing plate				
11	1	60B15F 1-3/8"	RBL H60 B15 1-3/8" Jack shaft sprocket				



UPPER AUGER

ITEM #	QTY	PART #	DESCRIPTION	ITEM #	QTY	PART #	DESCRIPTION
1	1	AAE011	Upper auger 16" flighting 162" long	10	1		1/2" x 4" bolt & nylock nut
2	1	ZEU085L	Upper auger bearing bracket	11	2 sets		1/2" x 1-1/2" bolt, nylock nut, 3 washers
3	1	AAE044	Auger spout extension	12	4		1/2" x 1-1/4" bolt & nylock nut
4			1-1/2" Hydraulic cylinder	13	4	610-020	Ø1-1/16" x 5-1/2" spring
5	1	AAE050	Upper auger transport rest	14	1		1/2" x 1" bolt, lock washer, washer
6	1		11" x 10" upper auger saddle rubber	15	4		1/2" x 8" bolt, washer
7	1	ZEU135	Flighting spacer, 1-1/4" STD pipe x 3-1/16"	16	1 set	*F207	4-hole flange
8	1	AAE059	Upper auger hinge pin	17	2 sets	*SA207-20	1-1/4" bearing, lock nut
9	1		1/2" x 4-1/2" bolt & 1/2" nylock nut	18			1/2" x 4-1/8" x 5-1/2" u-bolt, 2 nylock nut

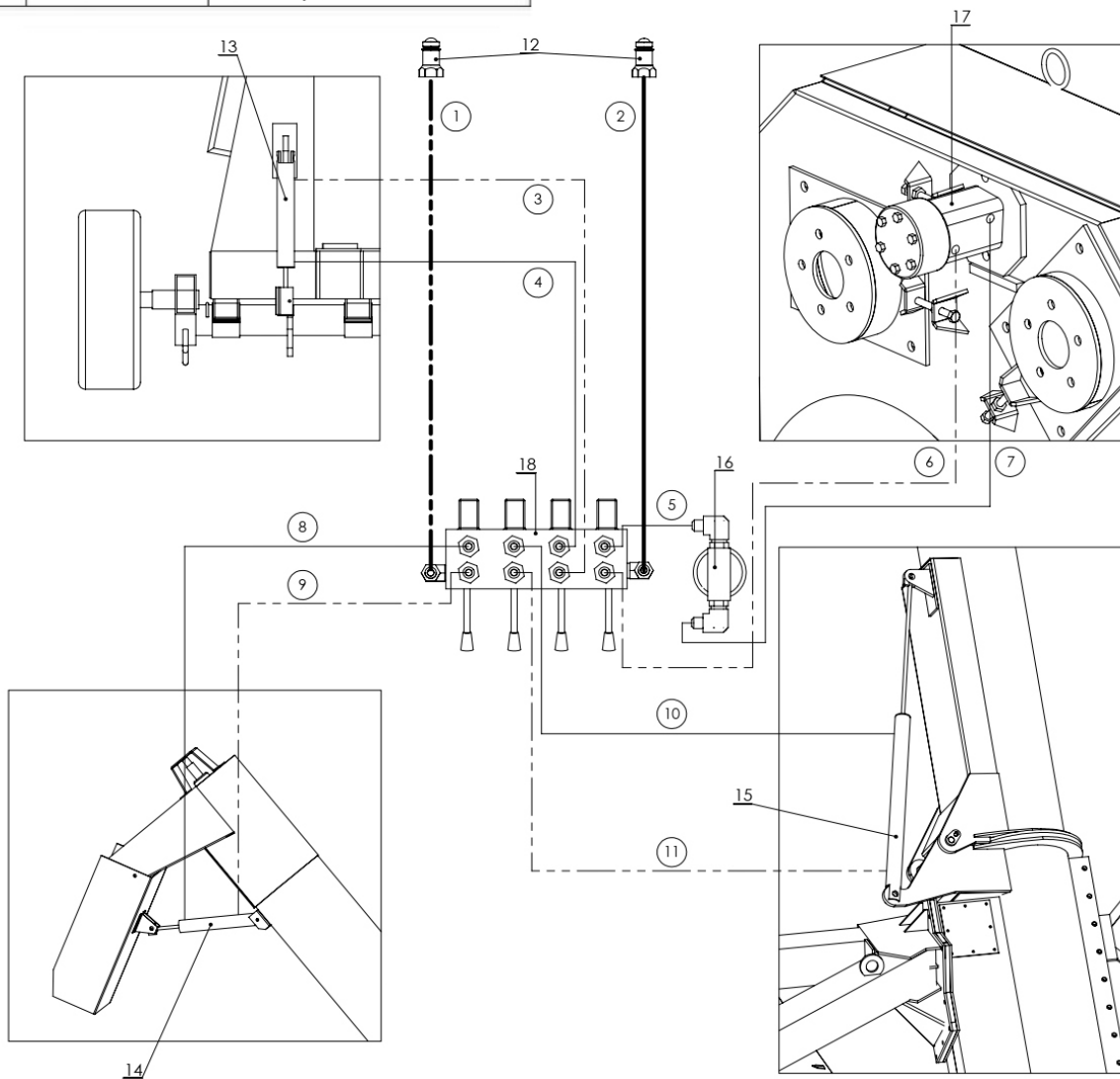
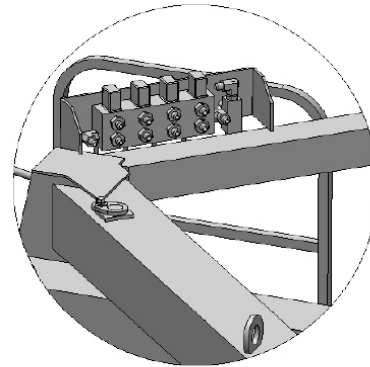


DRIVELINE

Item #	QTY	Part #	Description	Item #	QTY	Part #	Description
1	1	AAE057	Main frame long shaft	11	2	5018 1-3/8"	1-3/8" coupler sprocket
2	1	ZEL316L	PTO lower shaft	12	1	ST4190-11T	"T" gear box
3	2	H80B20	#80 x 20 tooth, Ø 1-1/2" hub	13	1	242-28228	Cross auger PTO
4	1	#80H-106"	H80 Renolds chain 106"	14	1	ZEL315L	1-3/8" cross auger jack shaft
5	2	80BB12H3/4 NTL	Idler sprocket #80	15	1	60B15F 1-3/8"	H60 B15 1-3/8" Jack shaft sprocket
6	1	242-28227	PTO	16	1	AAE043	60-25 Sprocket c/w 1-3/8" splined hub
7	2 SETS		3/4" x 4" bolt, 3/4" nylock nut 2 washers, 3/4" spacer	17	1	#60-29"	Size 60 length 20 chain
8	6	5018 1-1/2"	1-1/2" coupler sprocket	18	1	ZEL060L	1-1/2" x 25-1/4" lower auger long shaft
9	4	5018 chain	#50 double roller chain	19	1	ZEL059L	1-1/2" x 22-5/8" lower auger short shaft
10	1	ST5190-11L	90° gear box				

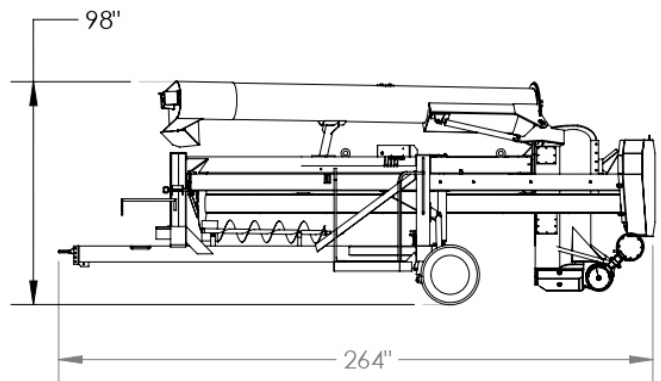
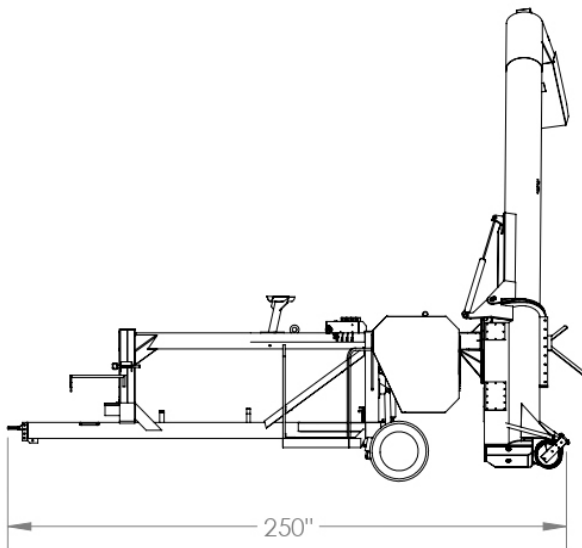
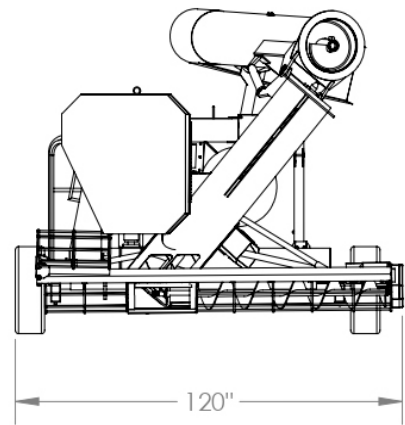
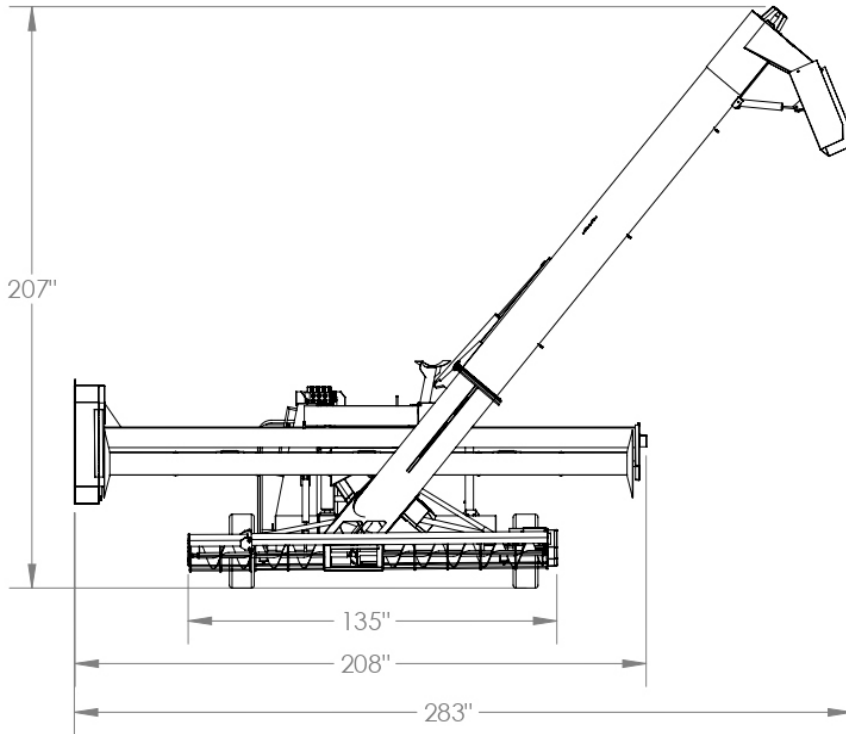
HYDRAULIC MAP

Item #	Description	Part #
1	Tractor	1/2" - 240',T2SN8C240MPDFJ90D
2		1/2" - 240',T2SN8C240MPDFJ90D
3	Axle cylinder	3/8" - 42",T2SN6C42FJCFJC
4		3/8" - 50",T2SN6C50FJCFJC
5	Hydraulic motor	3/8" - 20",T2SN6C20FJ90CFJC
6		3/8" - 118",T2SN6C118FJCF45JC
7		3/8" - 124",T2SN6C124FJCF45JC
8	Spout cylinder	1/4"-254",T2SN04C254.0FJCFJC
9		1/4"-242",T2SN04C242.5FJCFJC
10	Auger cylinder	3/8" - 110",T2SN6C110FJCFJC
11		3/8" - 82",T2SN6C82FJCFJC
12	Fitting	1/2" STC 800001005 ball style
13	4x8 cylinder	40AGU08-10 HYS
14	1-1/2x12 cylinder	15MAL12-10 HYS
15	2-1/2x24 cylinder	25 AGU24-10
16	3/4" flow control	SV-06-180-S HYS
17	Motor	BMR50-H4CS
18	4 bank valve	Q45-4E-FISN-EXT



WORK MODE

TRANSPORT MODE





PRO GRAIN EQUIPMENT LTD.

BOX 188
COLONSAY, SK S0K 0Z0

TEL. 306-255-2112
FAX. 306-255-2113