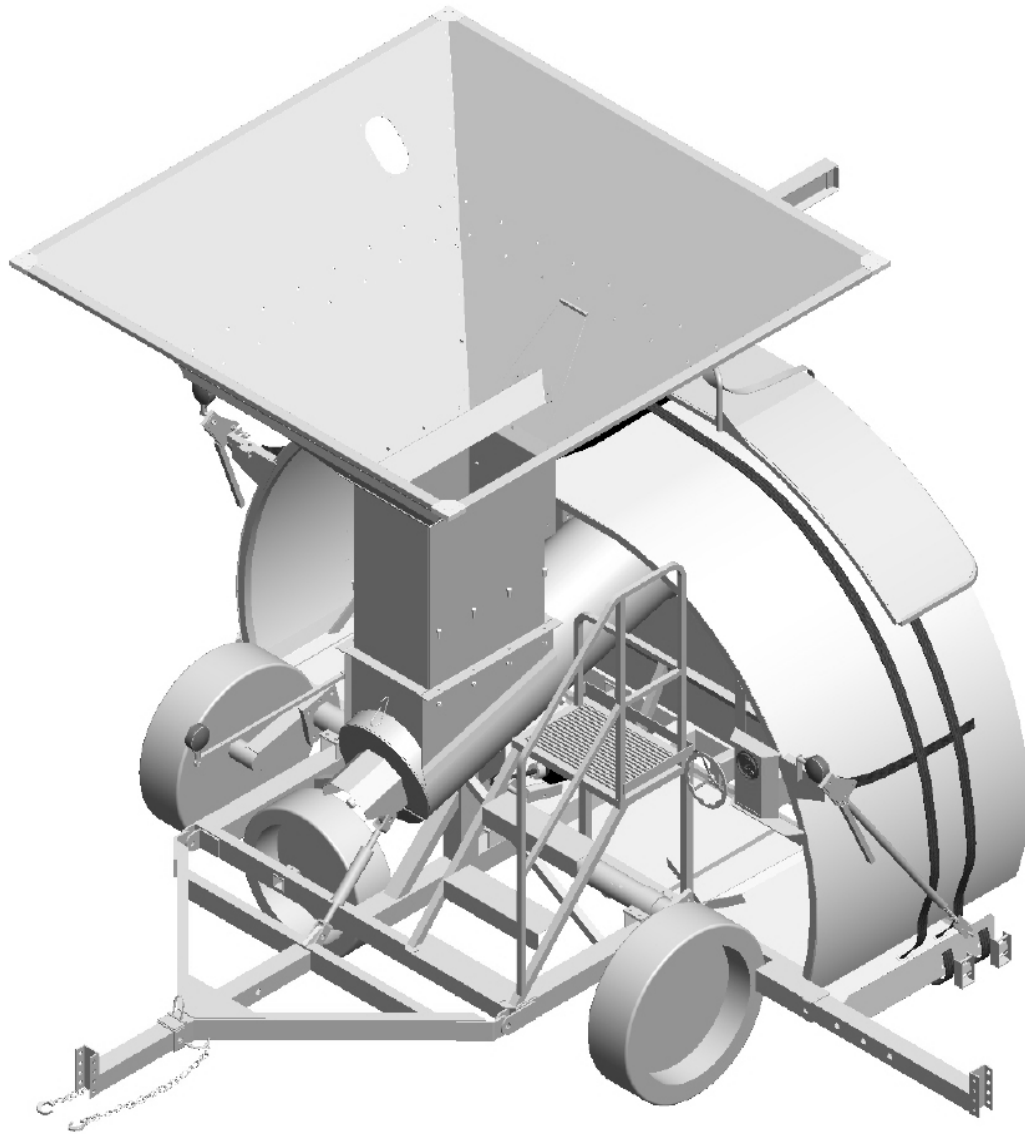
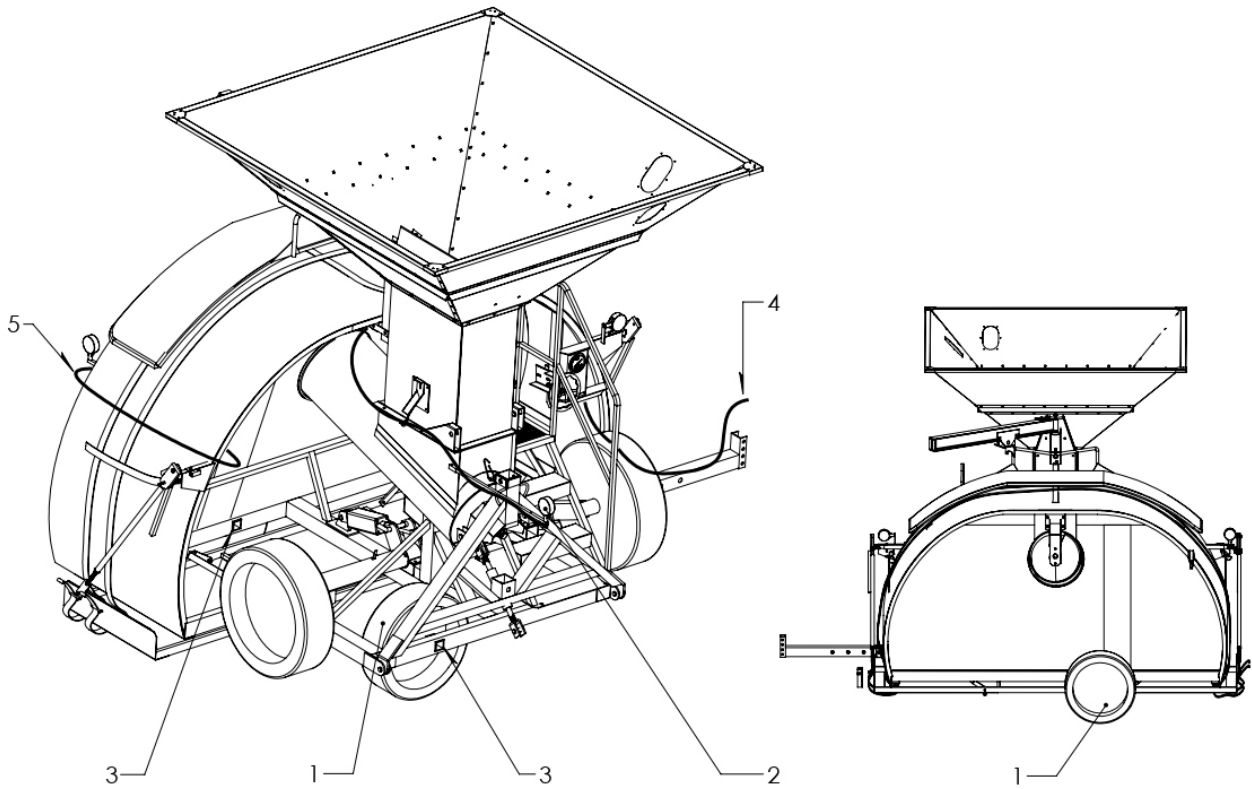


PRO **GRAIN** EQUIPMENT



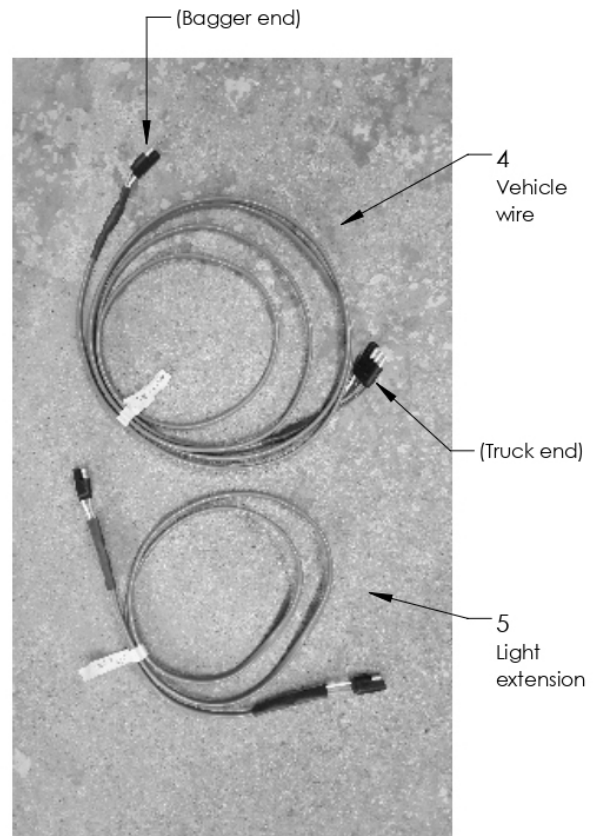
PRO GRAIN BAGGER B-2010H PARTS MANUAL

Transport kit	3
Dimension	4
Tunnel	5
Exploded view	6
A-frame & support	7
Bag pan & arm	8
Auger & flighting	9
Hopper	10
Crane	11
Hydraulic & cradle	12
Strap	13
Brake	14

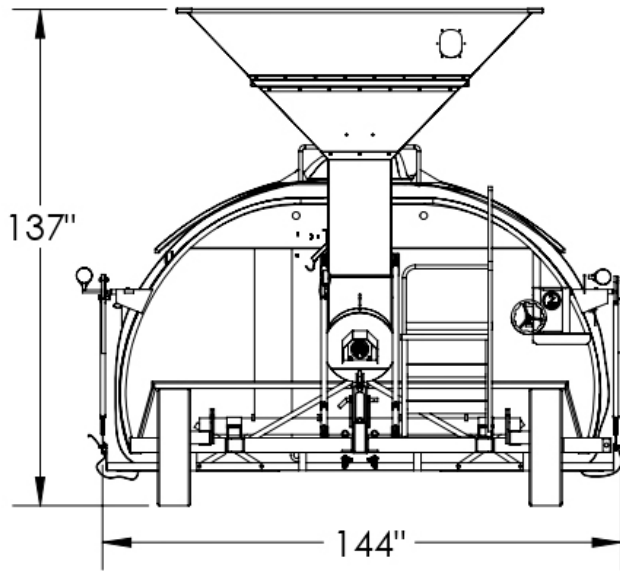


TRANSPORT KIT

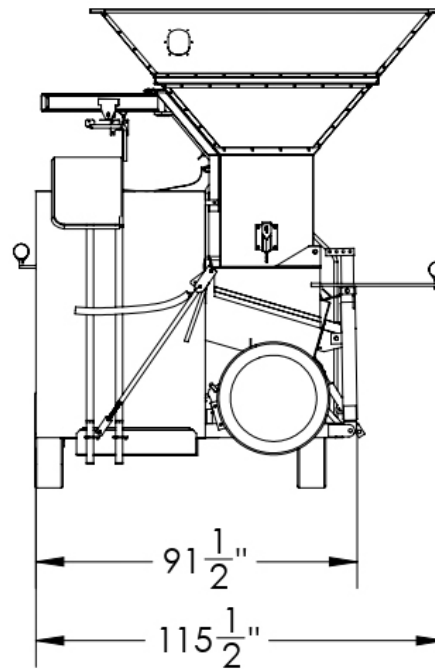
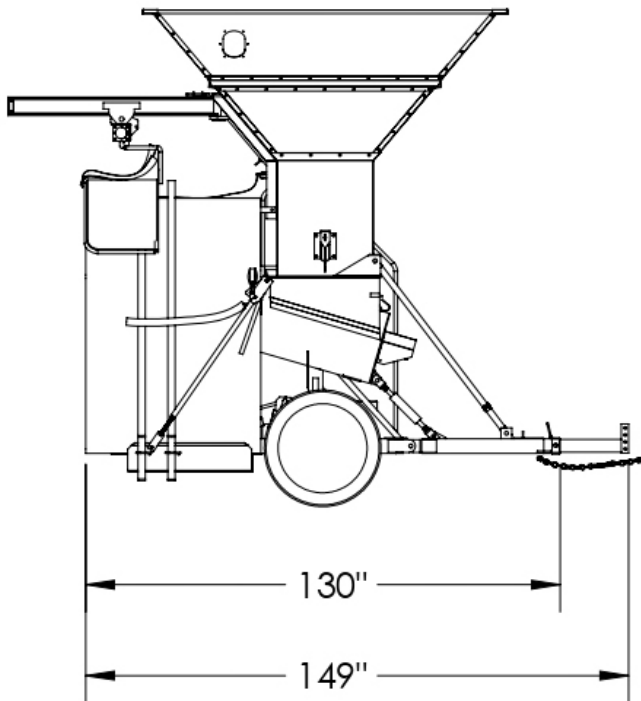
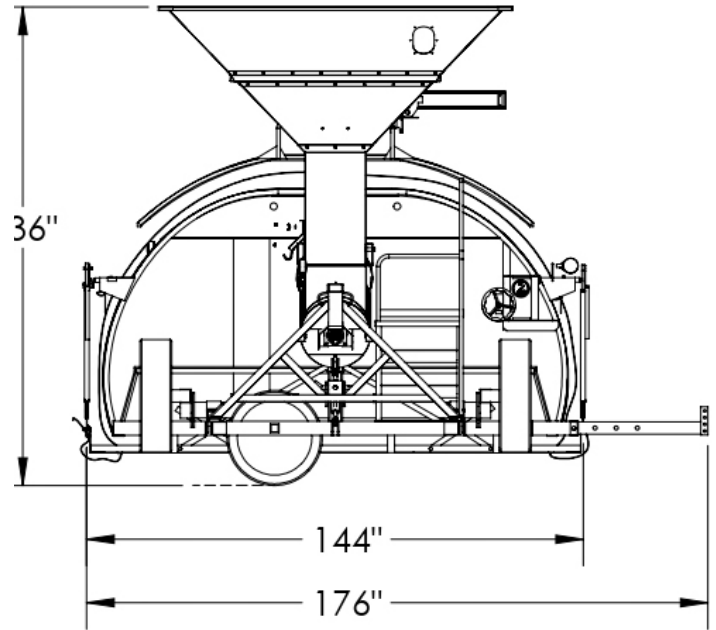
ITEM #	QTY	PART #	DIAGRAM
1	2	ST205/75R15 TRANSPORT TIRES	
2	1	AAA037 TRANSPORT LIGHT C/W 3' EXTENSION ARM CP202RA RED AMBER SIGNAL LIGHT ----- ZT132 3' TUBING	
3	2	AAT071 TRANSPORT AXLE	

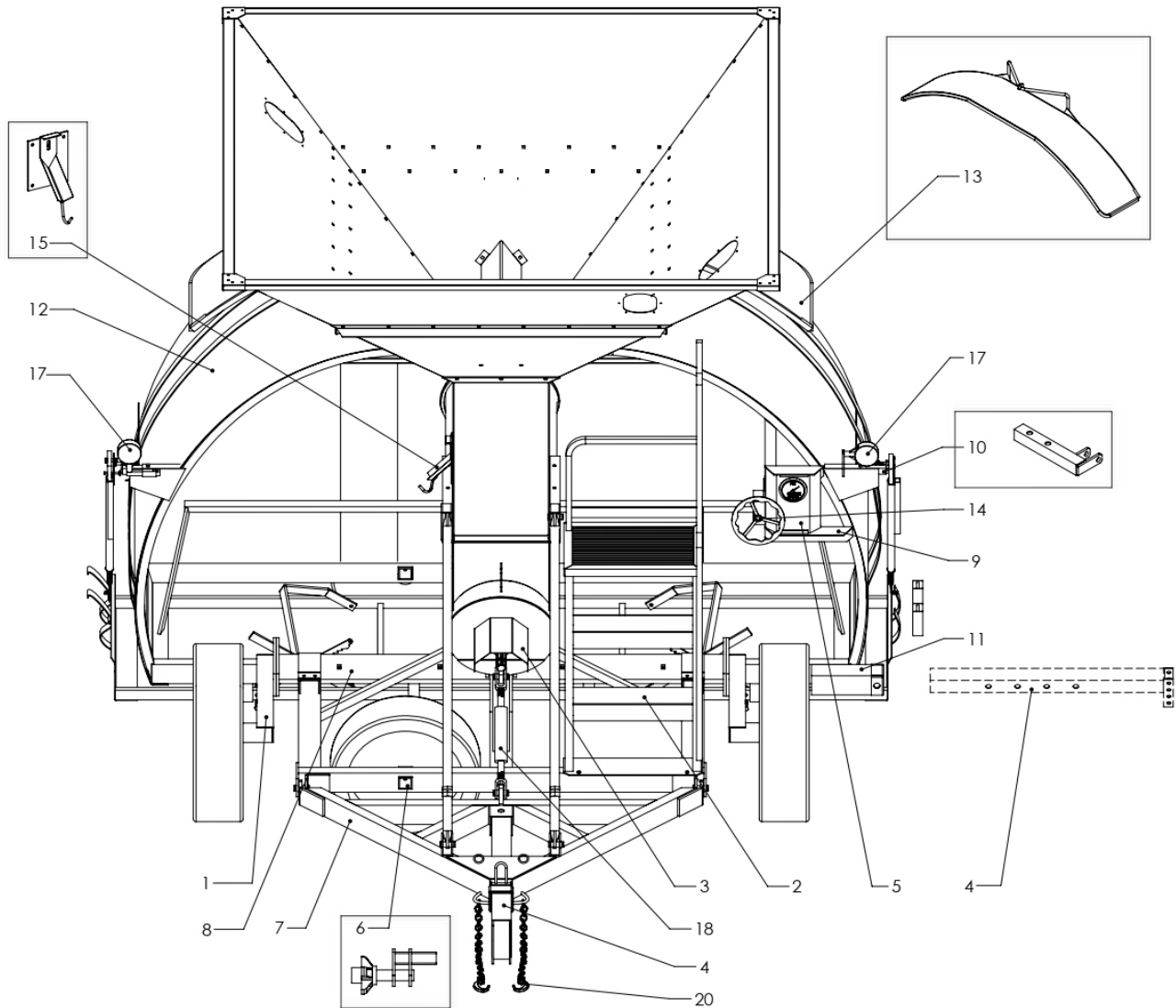


WORK MODE



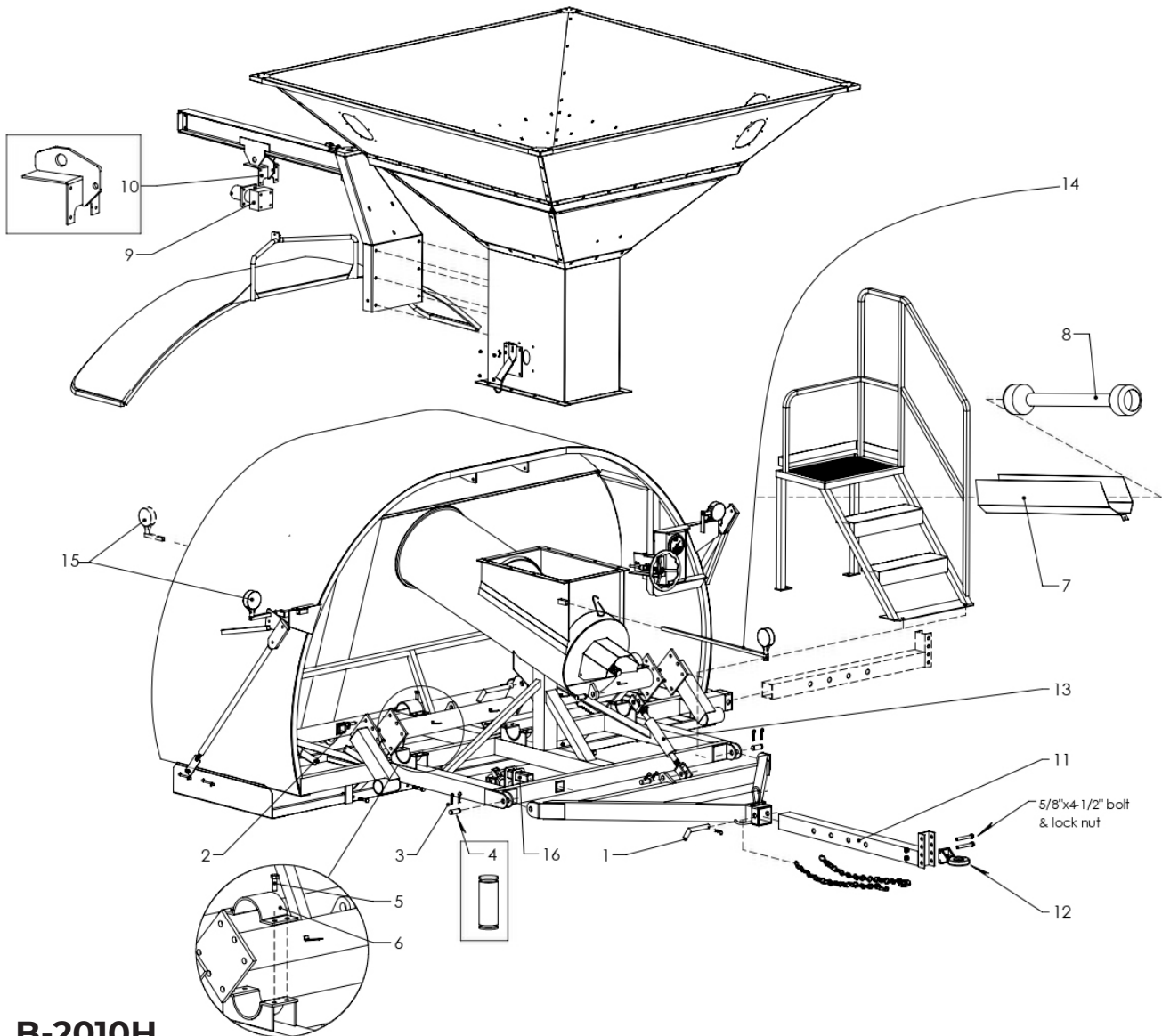
TRANSPORT MODE





TUNNEL

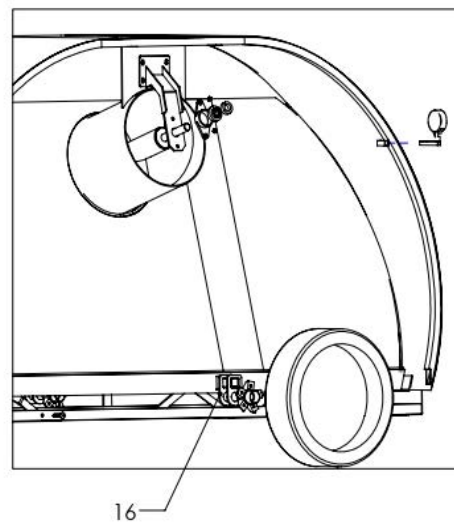
ITEM #	QTY	PART #	DESCRIPTION	ITEM #	QTY	PART #	DESCRIPTION
1	2	AAT001	Axle stub (left & right)	12	1	AAT066	Tunnel
2	1	AAT056	Platform for B-2010H	13	1	AAT057	Cradle
3	1	AAT070	PTO cover for B-2010H	14	1	AAT027	Brake adjustment wheel
4	1	AAT006	A-frame hitch	15	1	AAH006	Automatic grain sampler
5	1	AAT028	Electrical control box	16	1	CP202RA	Red amber light
6	2	AAT071	Transport axle stub	17	1	AAA036	Red amber light C/W 6" mount (Installed at the back of the tunnel during transporting)
7	1	AAT058	Foldable A-frame				
8	1	AAT055	Axle	18	1	DYN66642	Ratchet jack
9	1	AAT062	Electrical box mount	19	2	TIRLT235/85R16	Bagger tires
10	2	AAT068	Bag pan arm mount	20	2	AASC00148	Safety chain
11	2	AAT063	Tunnel receiver tube	21			

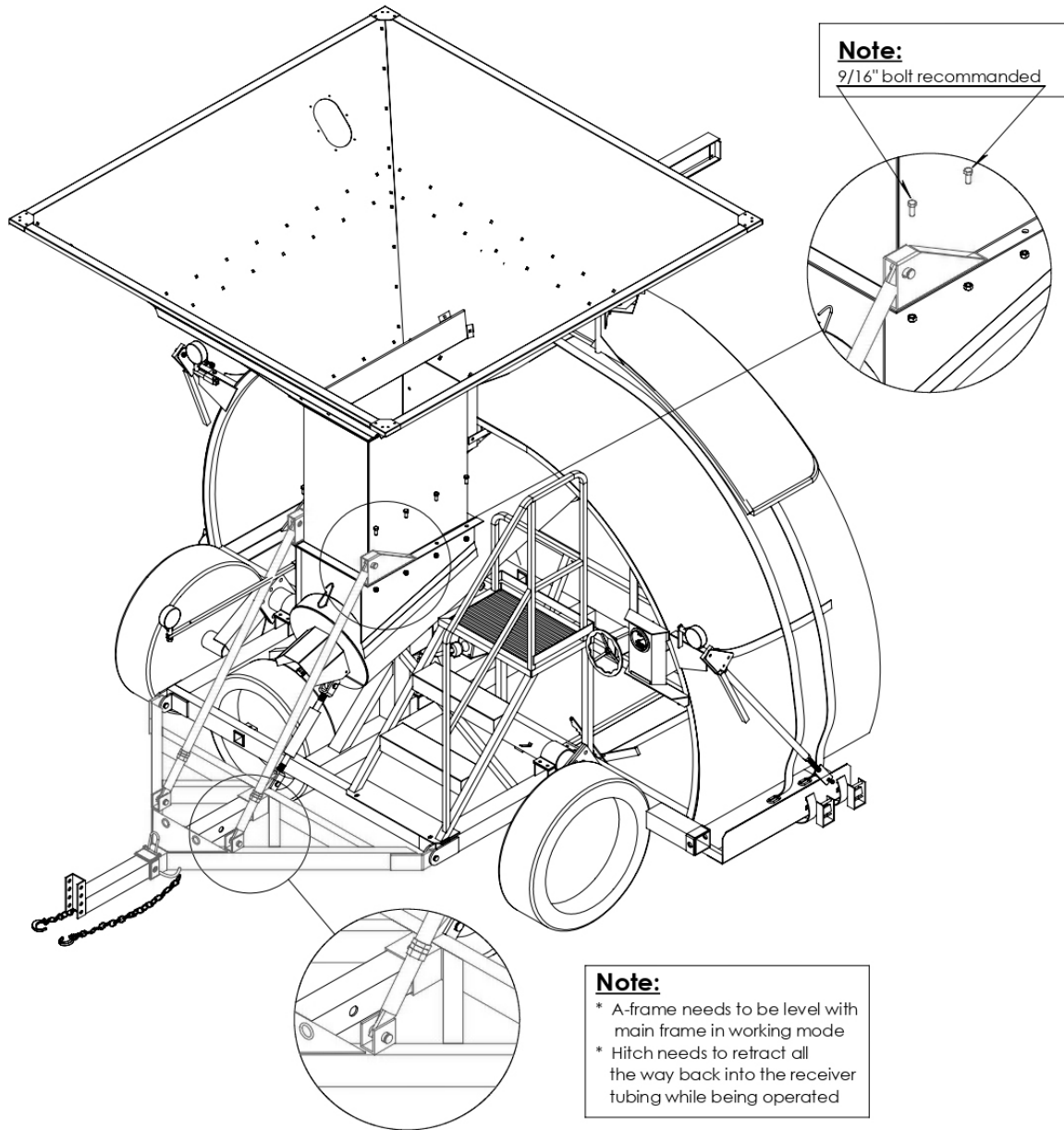


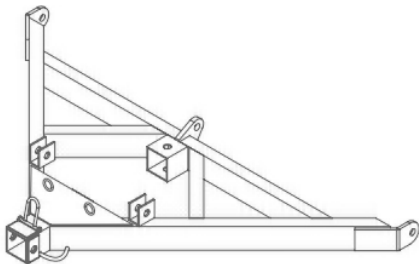
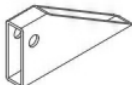

B-2010H

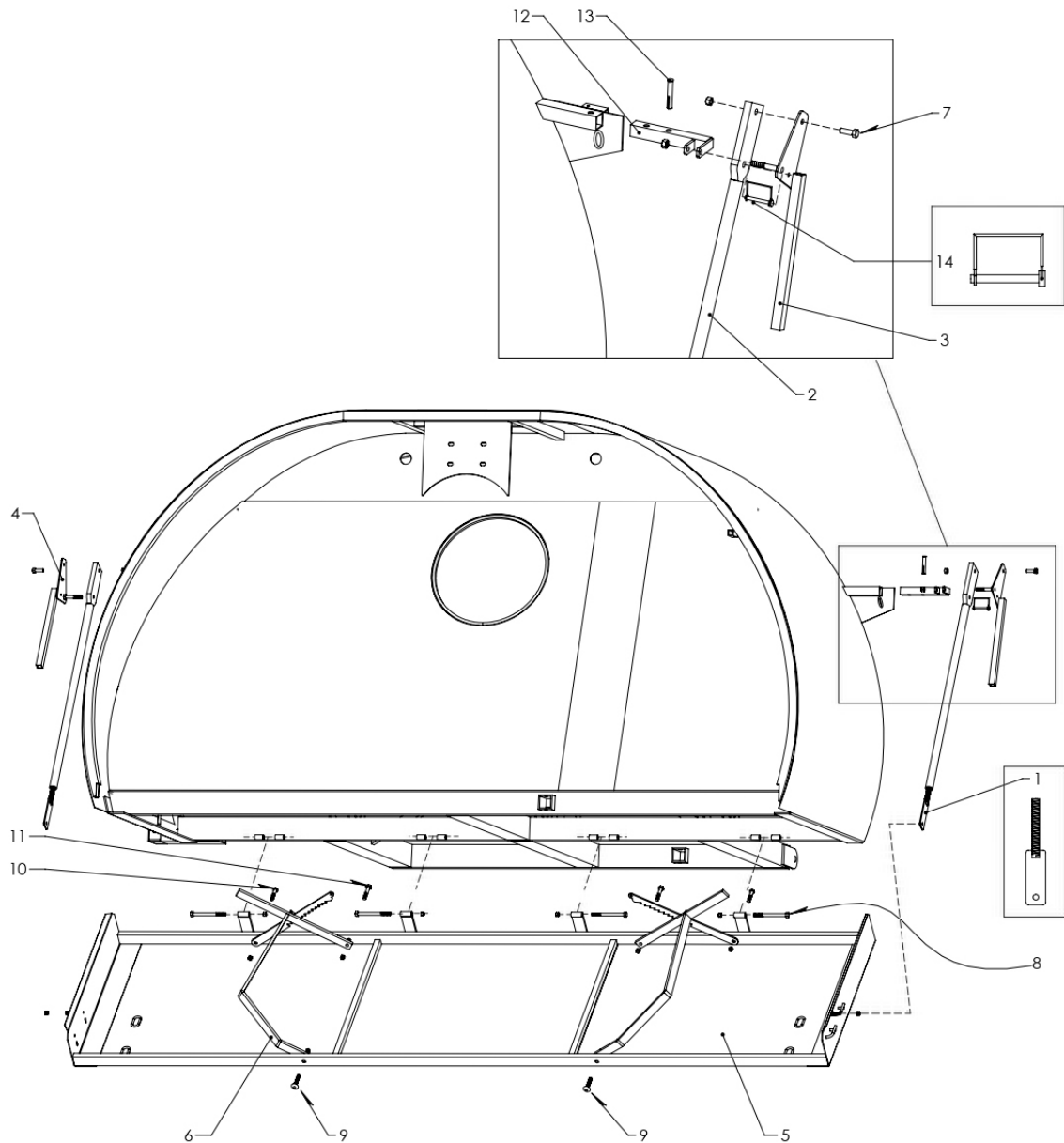
Item #	QTY	PART #	DESCRIPTION
1	1	AAT008	A-frame hitch pin
2	12		5/8"x2" bolt & nylock nut
3	11		Hair pin
4	4		1"OD x 2-7/8" double clip hydraulic pin
5	12		1/2"x1-1/2" bolt & nylock nut
6	3		Saddle plate
7	1	AAT069	PTO holder
8	1	262-28286	PTO
9	1	A3000KFI	3000 LB winch
10	1	AAT065	Winch mount plate for B-2010H
11	1	AAT006	A-frame hitch
12	1	CDT-126VR	Base, Hitch cast
13	1	DYN66642	Ratchet jack
14	1	AAA037	3' Long light
15	1	AAA036	Red amber light C/W 6" mount
16	2	AAT071	Transport axle stub

Back view



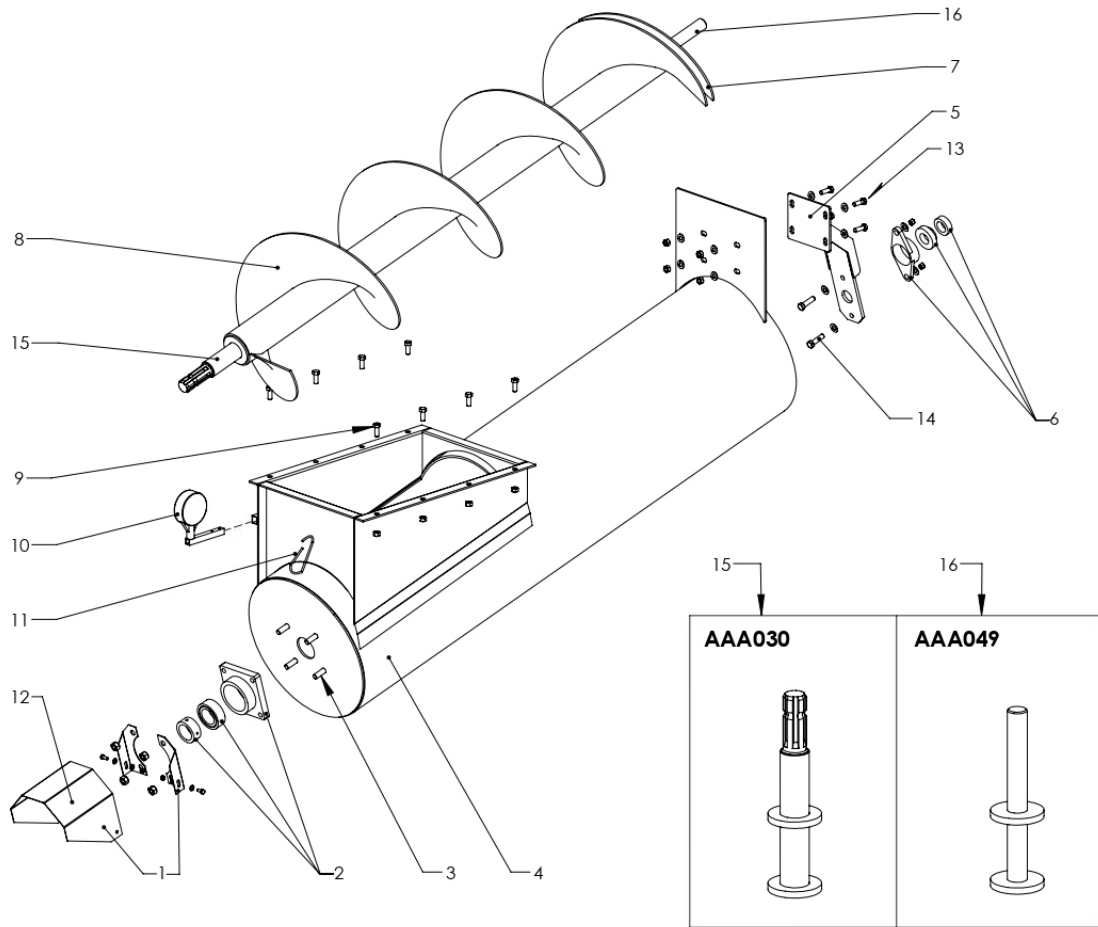


<p>Foldable A-frame</p> 	<p>Adjustable support pipe top mount (x2)</p> 	<p>Adjustable support pipe (x2)</p> 
---	---	---



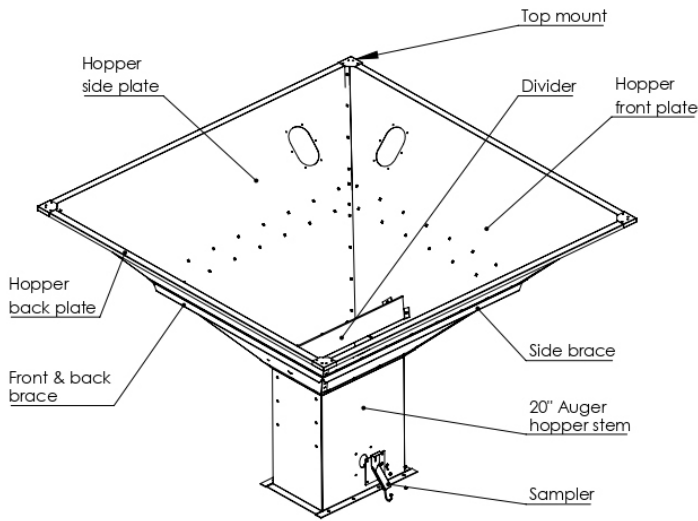
BAG PAN & BAG PAN ARM

Item #	QTY	Part #	Description	Item #	QTY	Part #	Description
1	2	AABP018	Bag pan arm adjusters	9	2 sets		1/2" x 2-1/2" carriage bolt & nylock nut
2	2	AABP013	Bag pan arm pipe	10	2 sets		1/2" x 2-1/2" bolt & nylock nut
3	1	AABP015	Bag pan lifts right hand	11	2 sets		1/2" x 3" bolt nylock nut
4	1	AABP014	Bag pan lifts left hand	12	2 sets	AAT068	Bag pan arm mount
5	1	AABP012	Bag pan	13	2 sets		1/2"x3" clevis bolt & hair pin
6	2	AABP004	Bag lifter(Left & right)+ ratchet bar	14	2	QP516.212	5/16" x 2-1/2" lock pin
7	2 sets		1/2" x 1-1/2" bolt and nylock nut	15			
8	4 sets		1/2" x 6" bolt and nylock nut	16			



AUGER

Item #	QTY	Part #	Description
1	1	AAT070	PTO cover
2	1	UEL211-203N1D1NTN	* 4-bolt ductile flange
		FU211N1D1NTN	* 2-3/16" Bearing * 2-3/16" Lock nut
3	4 sets		5/8"x2" bolt (Welded) & nut
4	1	AAA031	Auger tube for B-2010H
5	1	AAA035	Rear auger support for B-2010H
6	1	FL208	* 2-bolt flange
		SA208-24	* 1-1/2" Bearing * 1-1/2" Lock nut
7	1	AAA021	Wear plate for 20" auger
8	1	AAA032	Auger flighting for B-2010H
9	8		1/2"x1-1/4" bolt & nut
10	1	AAA036	Portable red amber light
11	1		3/8" snap link
12	2 sets		5/16"x3/4" bolt, nylock nut, washer
13	4 sets		1/2"x1-1/2" bolt, nylock nut, washer
14	2 sets		9/16"x2" bolt, nylock nut, washer
15	1	AAA030	2-3/16" direct drivex15.54"(bottom)
16	1	AAA049	Driven shaft 1-1/2" x 14" (top)

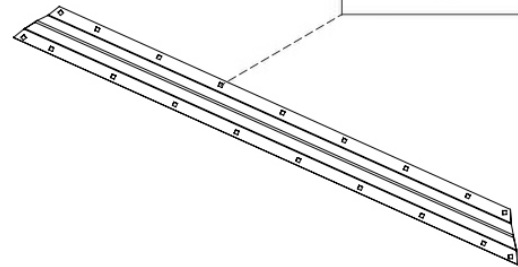


TOP MOUNT



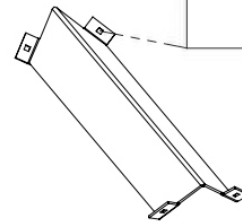
SIDE BRACE

3/8"x3/4"
Carriage bolt(x116)

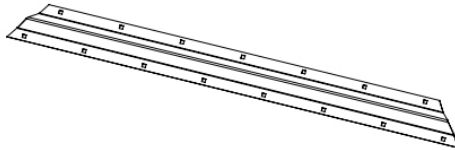


DIVIDER

7/16"x1"
Carriage bolt(x4)

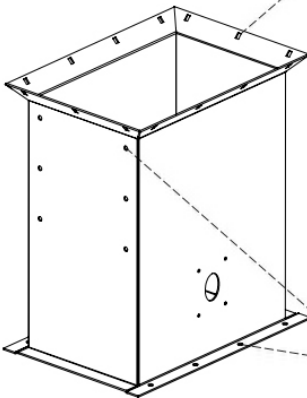


FRONT & BACK BRACE



STEM

7/16"x1"
Carriage bolt(x14)



1/2"x1-1/4"
bolt(x14)



SAMPLER

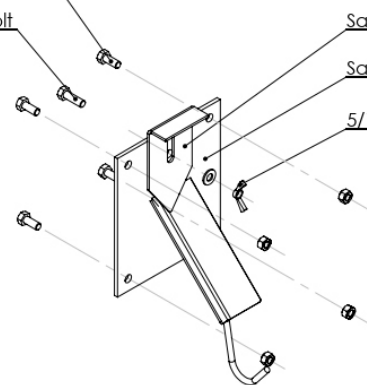
5/16"x3/4" bolt(x4)

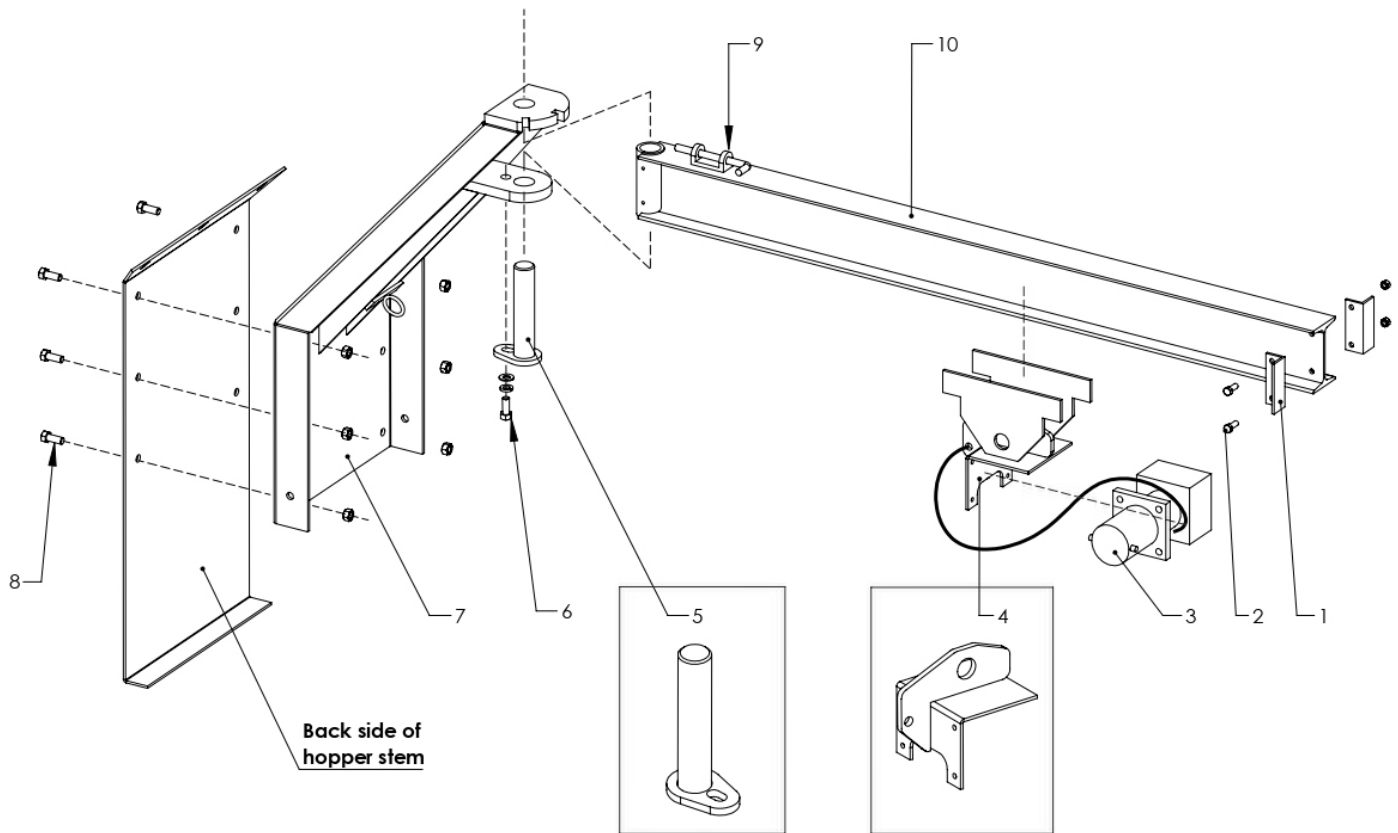
5/16"x3/4" bolt

Sampler slide

Sampler plate

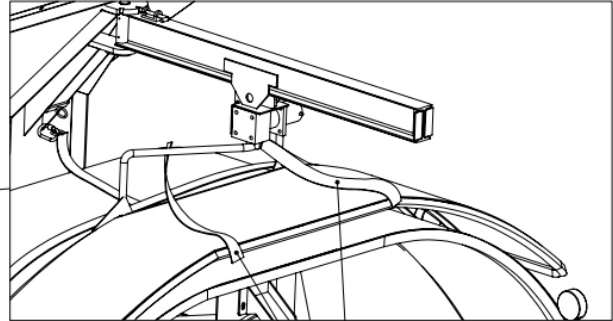
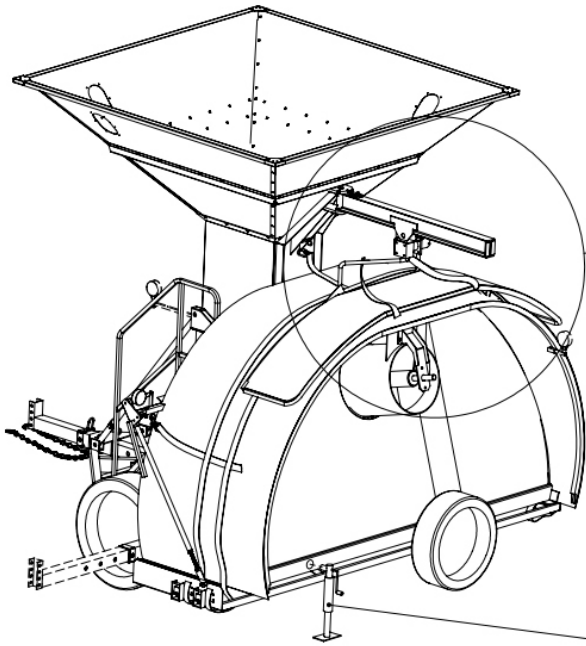
5/16" Wing nut





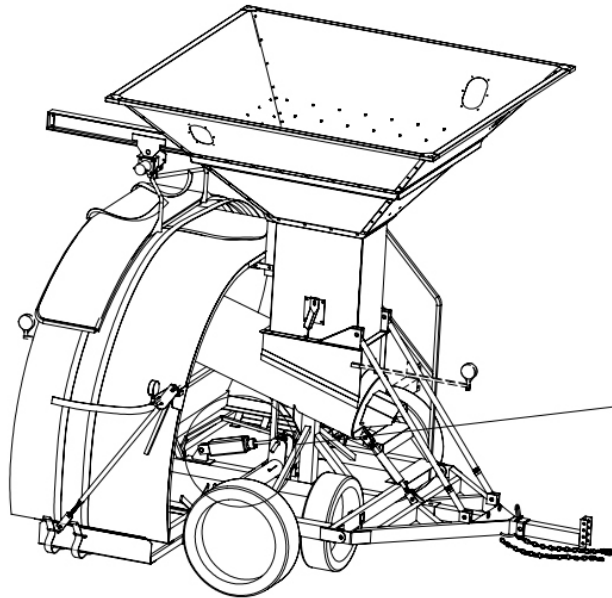
CRANE

Item #	QTY	Part #	Description
1	2	AABB012	Trolley stop
2	2 sets		3/8"x1" bolt & nylock nuts
3	1	A3000KFI	3000 LB Winch
4	1	AAT065	Winch mount plate
5	1	AABB011	Crane pin
6	1		1/2"x1-1/4" bolt, lock washer, flat washer
7	1	AABB009	Bag crane mount
8	6 sets		1/2"x1-1/4" bolt & nylock nuts
9	1	B2575	1/2" Spring latch
10	1	AABB010	Crane Beam



T6105
Cradle Straps

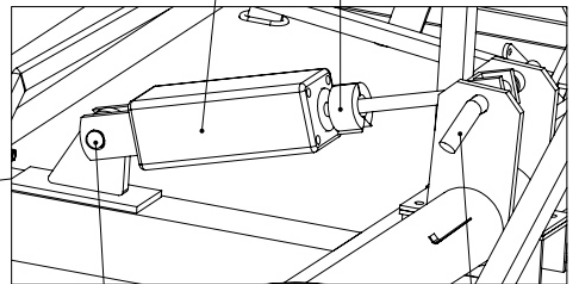
F95-TJP5001SB
5000 lb side
wind-up jack



30AGU08-10
Hydraulic Cylinder



DYN 55006
Hydraulic Cylinder
stroke control

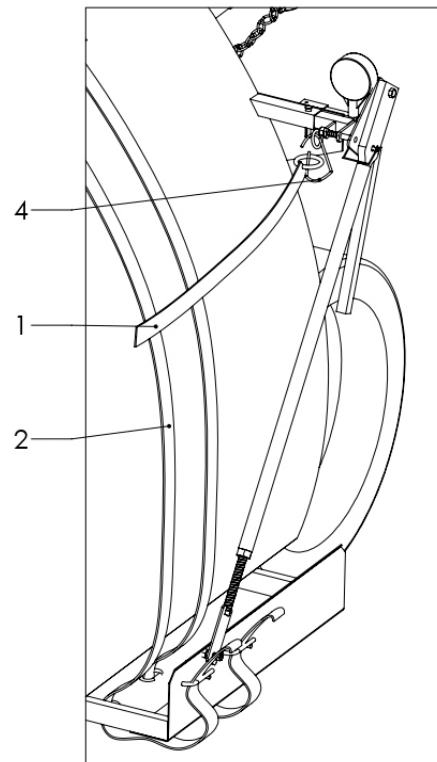
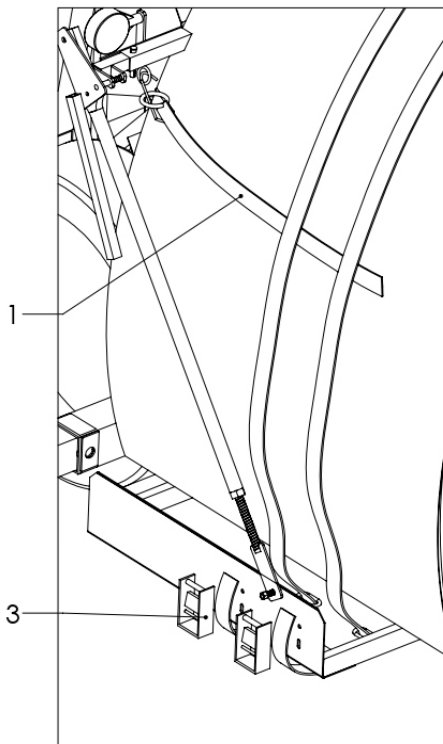
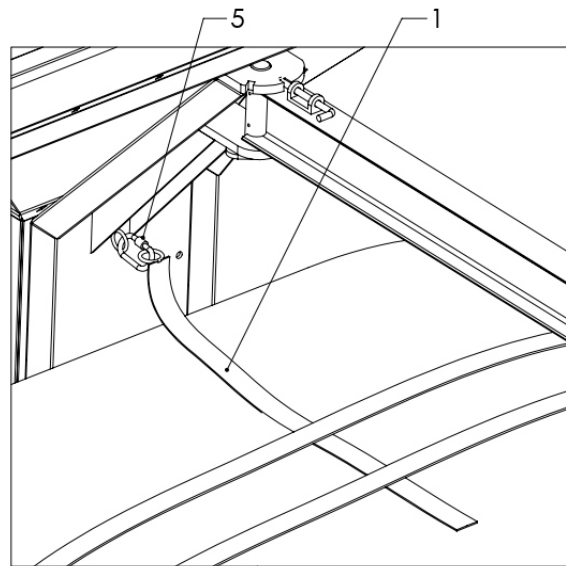


1"x2-3/4"
Hydraulic pin

AAT017
PIN

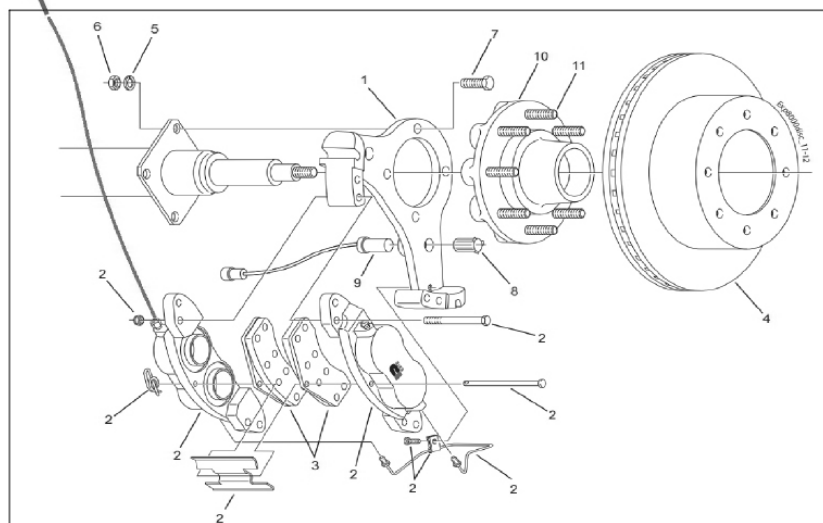
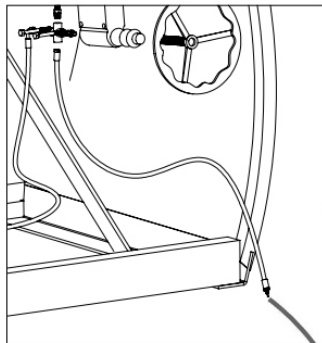
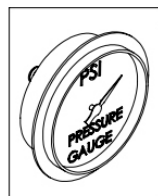
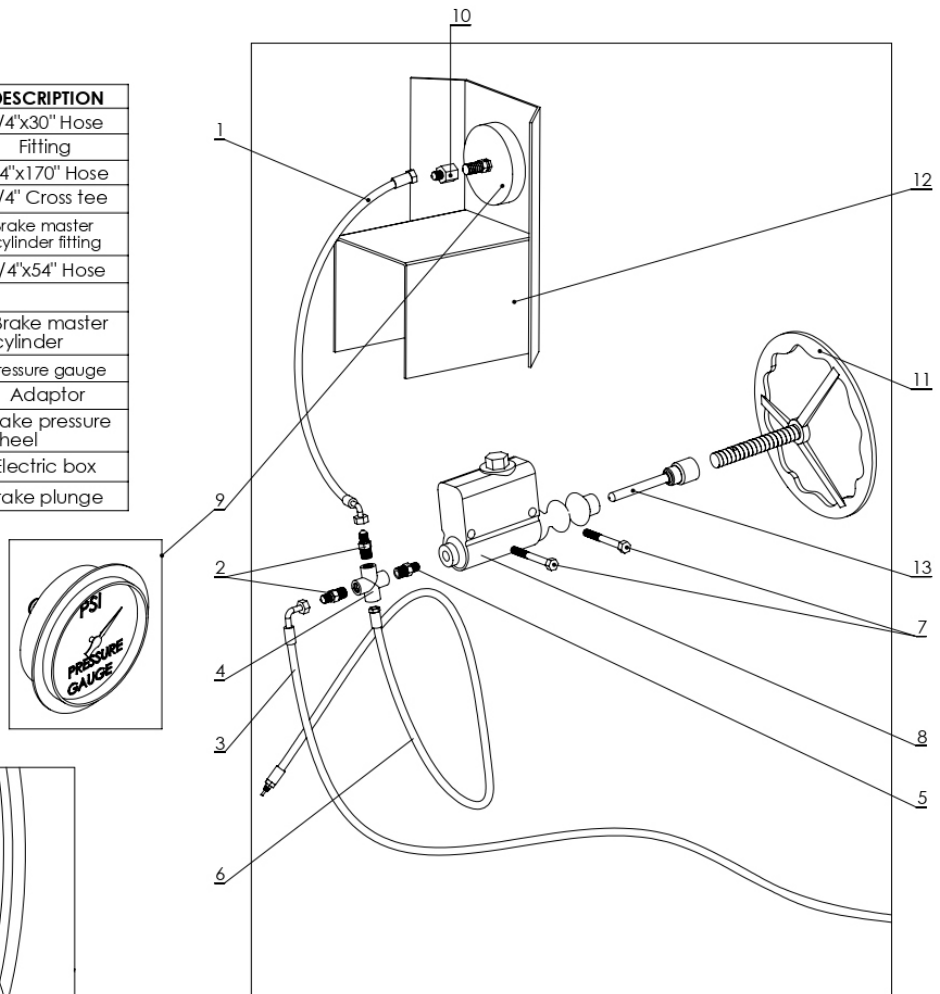
STRAP ASSEMBLY

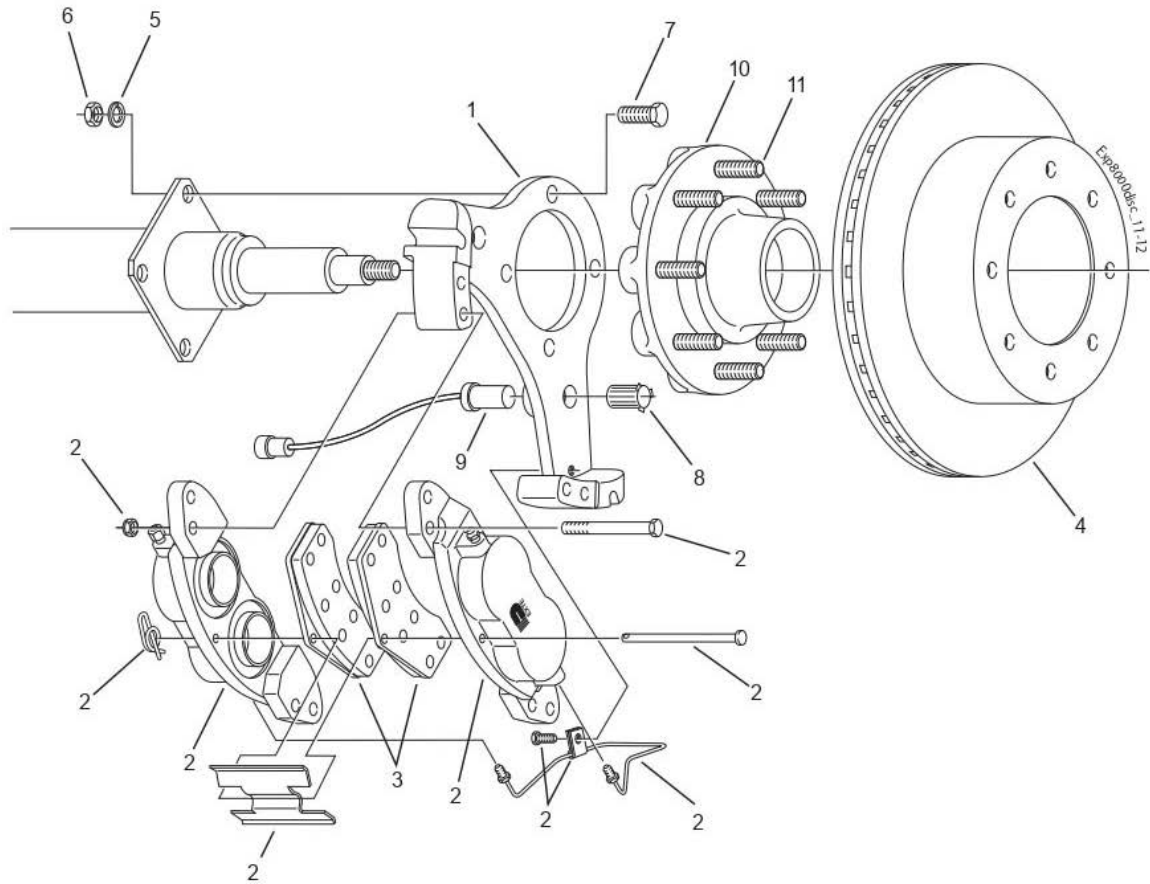
ITEM #	QTY	PART #	DESCRIPTION
1	3	AAT025	34" STRAP
2	2		24' 6" STRAP
3	2		3/8" QUICK LOCK(TOP)
4	2		1/4" SNAP LOCK(SIDES)
5	1	811	RATCHET BOLTED ON TO BAG PAN



800 LBs BRAKE

ITEM #	QTY	PART #	DESCRIPTION
1	1	T1SN4C30FJ90BFJB	1/4"x30" Hose
2	2	S3748-4B/2404-04-04	Fitting
3	1	T1SN4C170FJ90BM13	1/4"x170" Hose
4	1	S1002-B/5652-04-04-04-04	1/4" Cross tee
5	1	S1022-BA/5404-04-02	Brake master cylinder fitting
6	1	T1SN4C54MPM13	1/4"x54" Hose
7	2	3/8"X3" BOLT	
8	1	L31-23744	Brake master cylinder
9	1	FG42CXB3000PSI-1/4NPT	Pressure gauge
10	1	S3746-4B/2405-04-04	Adaptor
11	1	AAT027	Brake pressure wheel
12	1	AAT028	Electric box
13	1	AAT059	Brake plunge





Disc Brake 8000#

Item	Part No.	Qty/Brk	Description
1	090-003-01	1	Anchor Yoke
2	K71-630-00	1	Caliper Assembly Kit for LH or RH Contains:
	4 006-045-00		Caliper Mounting Nut
	4 007-254-00		Caliper Mounting Bolt
	1 019-019-00		Cotter Ring
	1 027-060-00		Tube Clamp
	1 046-145-00		Anti-Rattle Spring
	1 054-092-00		Bleeder Screw
	1 054-094-00		Adapter Fitting
	1 056-038-00		Pad Retaining Pin
	1 071-513-00		Cross Over Hydraulic Line (yokes without notch)
	1 071-518-00		Cross Over Hydraulic Line (yokes with notch)
	1 087-002-00		Hex Bolt
	2 089-003-02		Assembled Caliper Half
3	K71-629-00	1	Brake Pad Kit (axle set)
4	K71-631-00	1	Rotor Kit
5	005-058-00	4	1/2" Lock Washer
6	006-129-01	4	1/2" Hex Nut
7	007-097-00	4	1/2" Brake Mounting Bolt
8	097-002-00	1	ABS Sensor Retaining Clip
9	097-004-00	1	ABS Sensor (straight)

Disc Brake Hubs & Studs

Item	Part No.	Qty/Brk	Description
10	008-399-05	1	Grease 9/16" Studs 8 on 6.50
10	008-399-06	1	Oil 9/16" Studs 8 on 6.50
10	008-399-07	1	Grease 5/8" Studs 8 on 6.50
10	008-399-08	1	Oil 5/8" Studs 8 on 6.50
11	007-257-00	8	9/16-18 x 2.50" Press-in Stud
11	007-115-00	8	5/8-18 x 3.16" Press-in Stud

Disc Brake 8000# With 50MM Nev-R-Lube®

Item	Part No.	Qty/Brk	Description
1	090-007-01	1	Anchor Yoke
2	K71-630-00	1	Caliper Assembly Kit for LH or RH Contains:
	4 006-045-00		Caliper Mounting Nut
	4 007-254-00		Caliper Mounting Bolt
	1 019-019-00		Cotter Ring
	1 027-060-00		Tube Clamp
	1 046-145-00		Anti-Rattle Spring
	1 054-092-00		Bleeder Screw
	1 054-094-00		Adapter Fitting
	1 056-038-00		Pad Retaining Pin
	1 071-513-00		Cross Over Hydraulic Line (yokes without notch)
	1 071-518-00		Cross Over Hydraulic Line (yokes with notch)
	1 087-002-00		Hex Bolt
	2 089-003-02		Assembled Caliper Half
3	K71-629-00	1	Brake Pad Kit (axle set)
4	K71-631-00	1	Rotor Kit
5	005-058-00	4	1/2" Lock Washer
6	006-129-01	4	1/2" Hex Nut
7	007-097-00	4	1/2" Brake Mounting Bolt
8	097-002-00	1	ABS Sensor Retaining Clip
9	097-004-00	1	ABS Sensor (straight)

Nev-R-Lube® Disc Brake Hubs

Item	Part No.	Qty/Brk	Description
10	008-402-80	1	9/16" Studs, 50mm 8 on 6.50
10	008-402-81	1	5/8" Studs, 50mm 8 on 6.50
11	007-257-00	8	9/16-18 x 2.50" Press-in Stud
11	007-115-00	8	5/8-18 x 3.16" Press-in Stud



PRO GRAIN EQUIPMENT LTD.

BOX 188
COLONSAY, SK S0K 0Z0

TEL. 306-255-2112
FAX. 306-255-2113